

Combination Steam Oven, 24", 9 Function

Series 9 | Minimal

Black

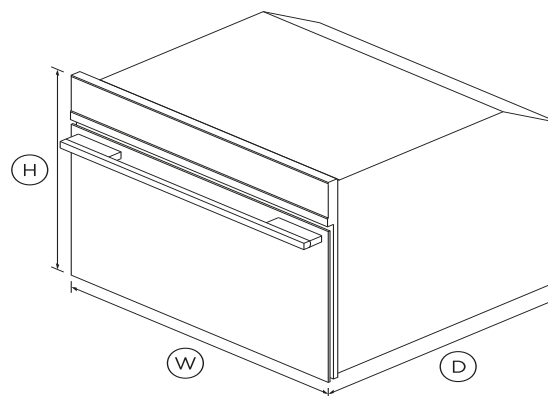


Get more flexibility in the kitchen with both convection cooking and steam cooking, which reduces the need for oils and fats.

- Cooking flexibility with nine oven functions, including five Steam functions, Broil and Convection
- Steam cooking allows you to cook a food in its own juices, to retain nutrients and flavour
- Part of our suite of companion products, designed to match aesthetically for flexible configurations
- 1.3 cu ft total capacity

DIMENSIONS

Height	18 ¹ / ₁₆ "
Width	23 ¹ / ₂ "
Depth	22 ¹ / ₈ "



FEATURES & BENEFITS

Sized to suit

This compact 24" Combination Steam Oven can be placed almost anywhere in the kitchen. Companion products share the same dimensions and can be installed in multiple configurations to suit your kitchen design and preference.

Cooking flexibility

The Combination Steam Oven allows ingredients to retain their nutrients, moisture content and coloration. With nine oven modes, it doesn't just steam, but also has Broil and Fan functions.

Easy to use

An easy to use, intuitive display shows the time and provides useful information about functions along with a refill alert.

Beauty of choice

With the choice of a stylish stainless steel or elegant black trim, our Companion products help you achieve a coherent kitchen aesthetic that suits your design style.

Easy cleaning

Cleaning and care of the Combination Steam Oven is simple. After each use, just wipe the smooth stainless steel interior with a dry cloth.

Safe and convenient

The CoolTouch door is safe to touch from the outside, protecting your hands and the surrounding cabinetry. The water tank slides in easily, with no plumbing required.

SPECIFICATIONS

Accessories

Baking pan	•
Food probe	•
Optional lower trim kit	Part 81662
Perforated tray and lid	•
Wire shelf	•

Capacity

Shelf positions	3
Total	1.3cu ft
Usable capacity	1cu ft

Cleaning

Easy clean 316 stainless steel	•
--------------------------------	---

- Easy to clean formed side
- Removable water tank

- Grill power **1500W**
- Steam generator **1800W**

Controls

- Audio feedback
- Automatic cooking/minute
- Celsius/Fahrenheit
- Electronic capacitive touch
- High resolution touch display
- Interior light **25W halogen**
- Intuitive information display
- Multi-language interface
- Precise electronic temperature
- Recipe and food based

Power requirements

- Amperage **15A**
- Supply frequency **60Hz**
- Supply voltage **208 - 240V**

Product dimensions

- Depth **22 1/8 "**
- Height **18 1/16 "**
- Width **23 1/2 "**

Safety

- Control panel key lock
- CoolTouch door

SKU **81927**

The product dimensions and specifications in this page apply to the specific product and model. Under our policy of continuous improvement, these dimensions and specifications may change at any time. You should therefore check with Fisher & Paykel's Customer Care Centre to ensure this page correctly describes the model currently available. © Fisher & Paykel Appliances Ltd 2019.





Functions

- Broil
- Grill power **1500W**
- Number of functions **9**
- Ring + broil
- Steam + ring
- Steam 100
- Steam 130
- Steam assist
- Steam clean (oven)
- True Convection Oven

Performance

- Broil power
- Fan Element Power **1500W**

Other product downloads available at fisherpaykel.com

-  User Guide
-  Service & Warranty Booklet
-  Installation Guide
-  Resources (zip)



A PEACE OF MIND SALE

24 Hours 7 Days a Week Customer Support

T 1300 650 590 W www.fisherpaykel.com