

P7200 SERIES - PYRAMID STYLE BARBECUE GRILL HOODS

Enhance your BBQ Grilling and capture the professional chef's experience.

Engineered for Beauty and Performance...

DISTINCTIVE DESIGN:

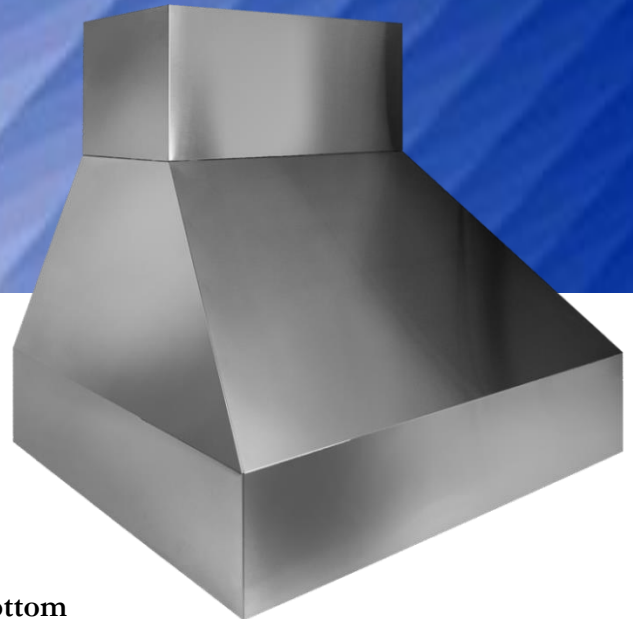
- Simplicity of design and function
- Available in 36", 42", 48", 60", and 72" widths
- Pyramid BBQ Hoods are 15" deep at top, 32" deep at bottom
- Matching Telescopic Stainless Steel Duct Covers are available for up to 12' ceilings
- Design of the Stainless Steel Commercial Baffle Filters adds a Professional Image
- Telescopic Duct Cover (2 piece) provided for adjustment up to 10' ceilings
- Generously proportioned 32" depth of hood provides an Exceptional Capture Area

ENDURING QUALITY:

- Powerful Internal Blowers Deliver 1200 CFM.
- Heavy gauge commercial stainless steel (#304 Grade with #4 brush finish)
- Four 12" by 14" baffle filters for Enhanced Performance (six or eight filters on larger models)
- Dimmable 50 watt halogen lights
- Optional In-line Blower(s) Deliver 1266 CFM

EASY INSTALLATION & CLEANING:

- Remote blower models are pre-wired for use with most in-line or exterior blowers
- Hoods with internal blowers are all pre-wired and ready for installation
- Top 10" Round Discharge Only (For rear discharge, change blowers' orientation)
- Durable, dishwasher safe commercial stainless steel baffle filters
- All stainless steel exterior design is Easy to keep Clean and Eliminates grease traps



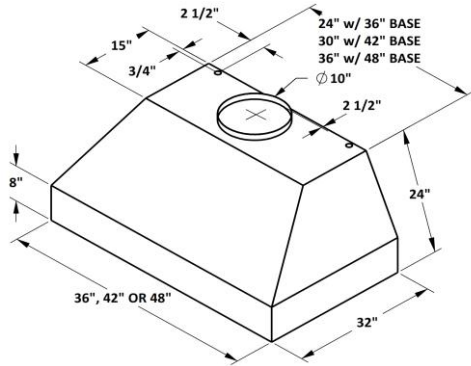
Our latest BBQ Grill Hood features cutting-edge design for maximum performance and beautiful style to bring you the ultimate barbecuing experience.

**TRADE-WIND**

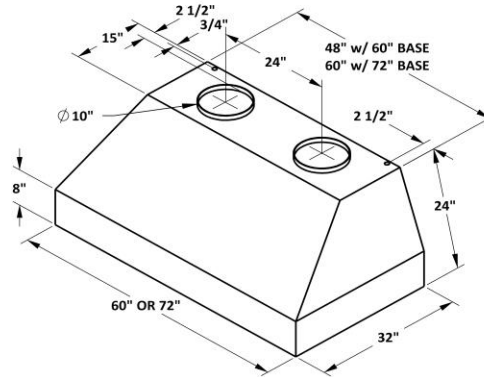
P7200 SERIES

BARBECUE GRILL HOODS

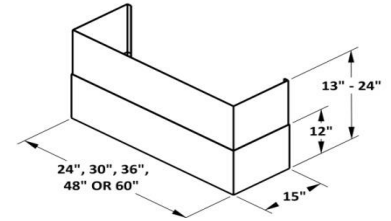
A. Range Hood



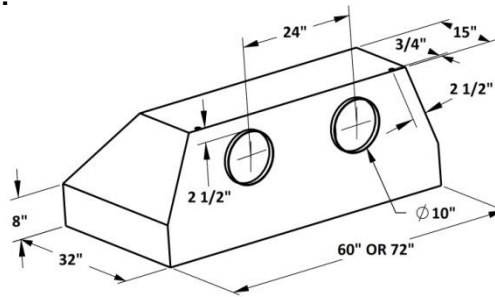
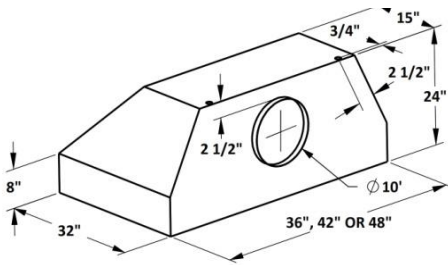
B. Range Hood



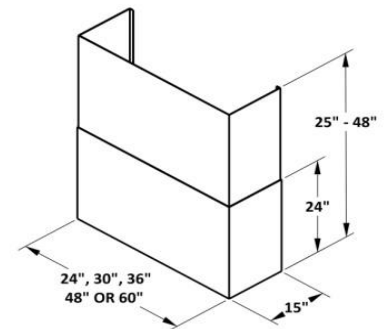
C. Duct Cover (included for ceilings from 9' to 10')



*After optional conversion to rear discharge:



D. Duct Cover (sold separately for ceilings from 10' to 12')



	Model	Size	CFM	3-Speed Motors	In-Line or Remote Blower	Halogen Lights	SS Baffle Filters	Top Discharge	Variable Light Control
A	P7236	36"			X	X	X	X	X
A	P7236-12	36"	1200	X		X	X	X	X
A	P7242	42"			X	X	X	X	X
A	P7242-12	42"	1200	X		X	X	X	X
A	P7248	48"			X	X	X	X	X
A	P7248-12	48"	1200	X		X	X	X	X
B	P7260	60"			X	X	X	X	X
B	P7260-23	60"	2300	X		X	X	X	X
B	P7272	72"			X	X	X	X	X
B	P7272-23	72"	2300	X		X	X	X	X

Optional Duct Cover
Model Numbers:

PDC7236- EXT KIT for P7236
PDC7242- EXT KIT for P7242
PDC7248- EXT KIT for P7248
PDC7260- EXT KIT for P7260
PDC7272- EXT KIT for P7272

- All dimensions are nominal +/- 1/8"
- All models exhaust vertically through a 10" round duct
(For rear discharge, change blowers' orientation)
- The top width dimension is 12" smaller than the bottom width of the hood.

Trade-Wind Manufacturing, LLC® has a policy of continuous improvements and reserves the right to modify (at any time without notice) any or all of its products, features, designs, components and specifications. For exact dimensions, see the installation instructions included with the product.

For more information please contact your dealer or your Trade-Wind® representative.



TRADE-WIND

800 West Grant Street Phoenix, AZ 85007
1-800-955-5737
602-900-8500
t-wusa.com



TRADE-WIND
Revised 5/21/20