

Vent-A-Hood®

INSTALLATION INSTRUCTIONS FOR UNDER CABINET VENT-A-HOODS

WARNING - TO REDUCE THE RISK OF FIRE, ELECTRIC SHOCK, OR INJURY TO PERSONS, OBSERVE THE FOLLOWING:

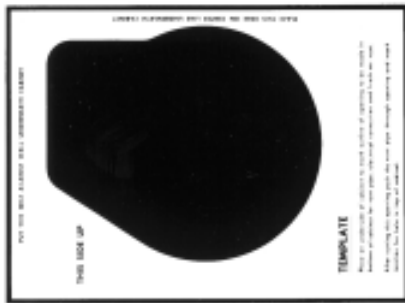
- A. Installation Work and Electrical Wiring Must Be Done By Qualified Person(s) In Accordance With All Applicable Codes And Standards, Including Fire-Rated Construction.
- B. When cutting or drilling into wall or ceiling, do not damage electrical wiring and other hidden utilities.
- C. Ducted fans must always be vented to the outdoors.
- D. Sufficient air is needed for proper combustion and exhausting of gases through the flue (chimney) of fuel burning equipment to prevent back drafting. Follow the heating equipment manufacturer's guideline and safety standards such as those published by the National Fire Protection Association (NFPA), and the American Society for Heating, Refrigeration and Air Conditioning Engineers (ASHRAE), and local code authorities.

WARNING - TO REDUCE THE RISK OF FIRE, USE ONLY METAL DUCTWORK.

Read and Save These Instructions All Hoods Should Be Installed By A Qualified Installer

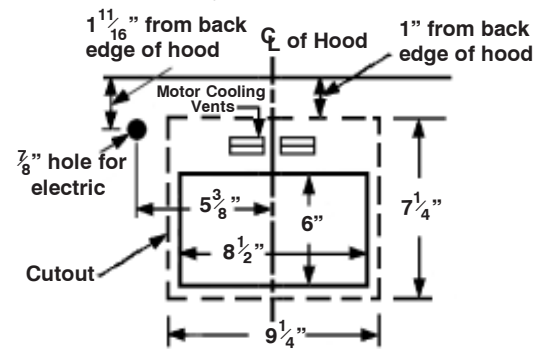
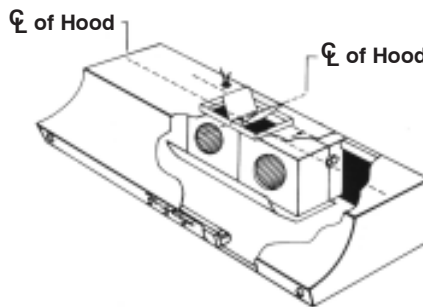
Step 1. — Cut out cabinet.

A. Model B100 — Use template provided.



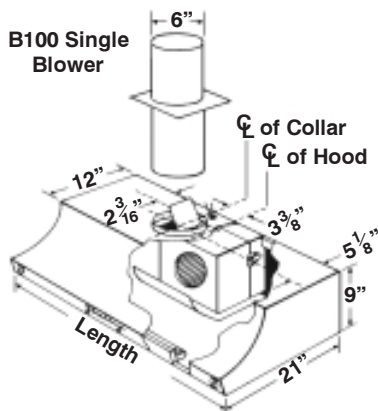
B. Model B200 — Mark cabinet per sketch.

*Make sure cutout is large enough for motor cooling vents.
(Motors are cooled from above).

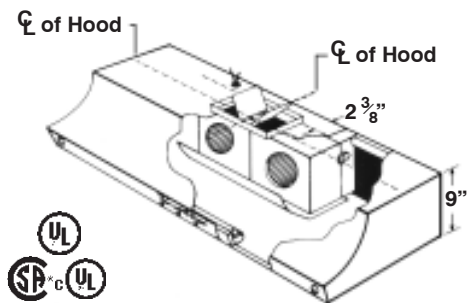
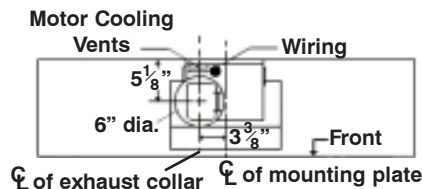


Step 2. — Install canopy in position under cabinet.

A. Attach securely to bottom of cabinet with screws provided.



6" exhaust collar is $3\frac{3}{8}$ " left of center. Offset Kit VP529 or VP550 are available to bring duct back to centerline.



Step 3. — Connect ducting.

A. Model B100: 6" duct or the equivalent must be installed throughout.

Blower	Minimum Round Duct Size	Square Inches
B100 Single 300 CFM	6" (or equivalent)	28
B200 Dual 600 CFM	8" (or equivalent)	50

B. Model B200: Transition to 8" round is provided. 8" duct or the equivalent must be installed throughout.

Do not restrict ducting anywhere including roof jacks or wall louvers. Don't make sharp turns with ducting. Make gradual turns or 45° angles.

Turn Page For More Instructions

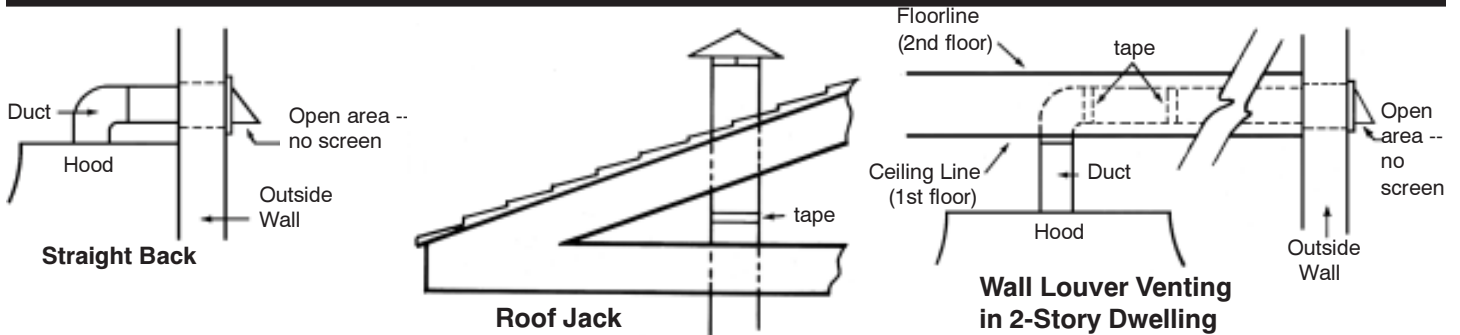
Step 4. — Connect electrical.

Follow label instructions and remove motor plate. Unplug motor and remove, being careful to not damage blower wheel. Connect electrical, black to black, white to white and ground to lug provided. Hoods with multiple blower units require separate electrical connections. Replace motor(s) and don't forget to plug them back in. Replace blower front and be sure it is secured properly and blower wheel(s) turn freely. Model B100, 1.7 Amps. Model B200, 3.4 Amps. Hoods with heat lamps and/or halogen lamps, 8.0 Amps.

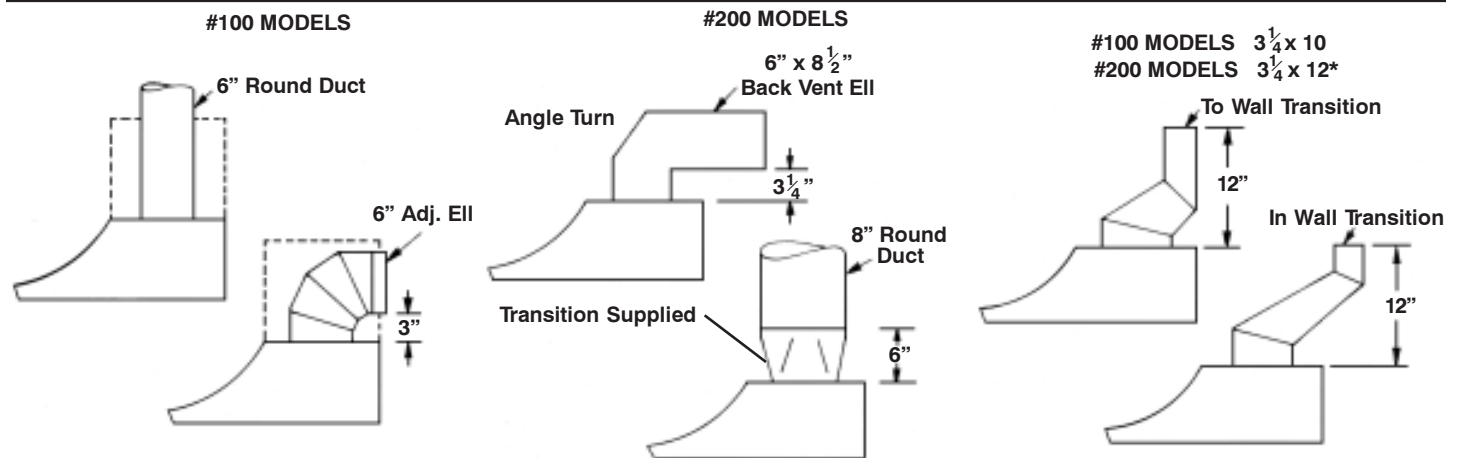
Observe All Governing Codes and Ordinances

Caution: to reduce the risk of fire or electrical shock, do not use this fan with any solid state speed control device.

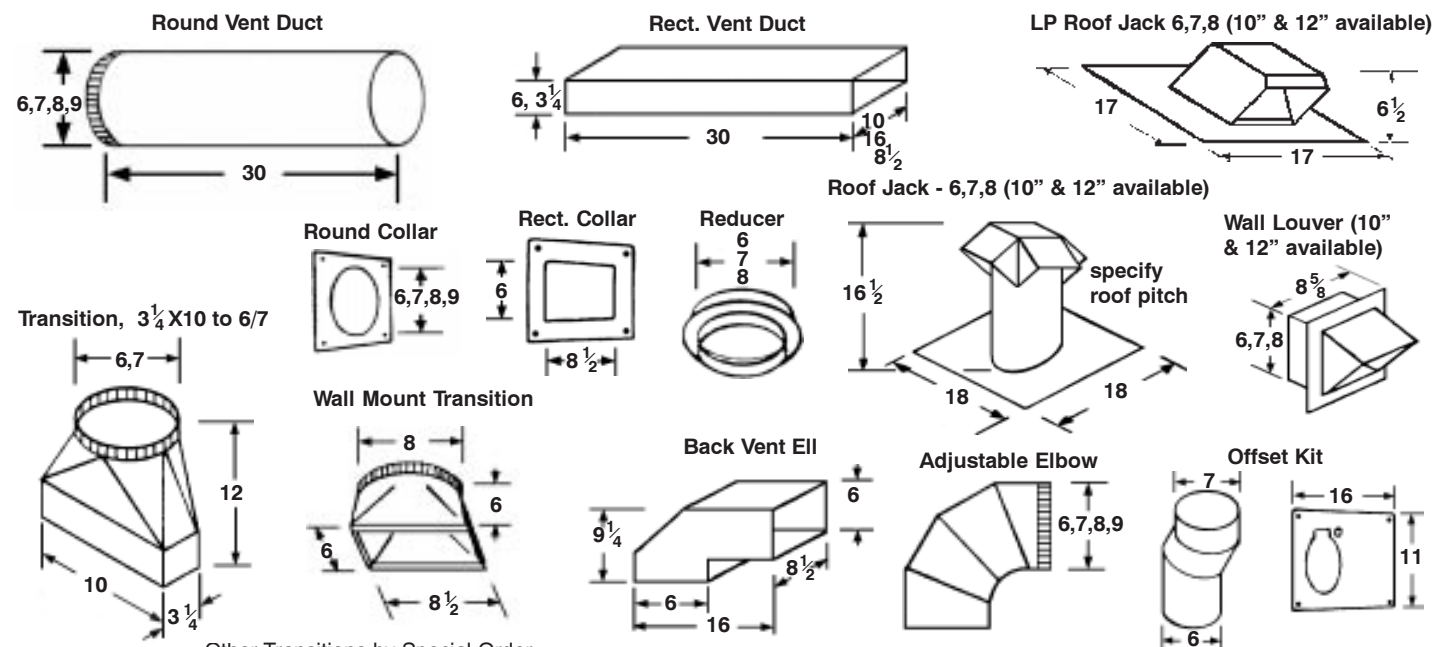
Methods of Ducting Your Vent-A-Hood



Venting Configurations



Venting Materials Available from Vent-A-Hood



2/25/99

Other Transitions by Special Order

II-UC

Vent-A-Hood

1000 N. Greenville Ave. • P.O. Box 830426 • Richardson, TX 75083 • (972) 235-5201