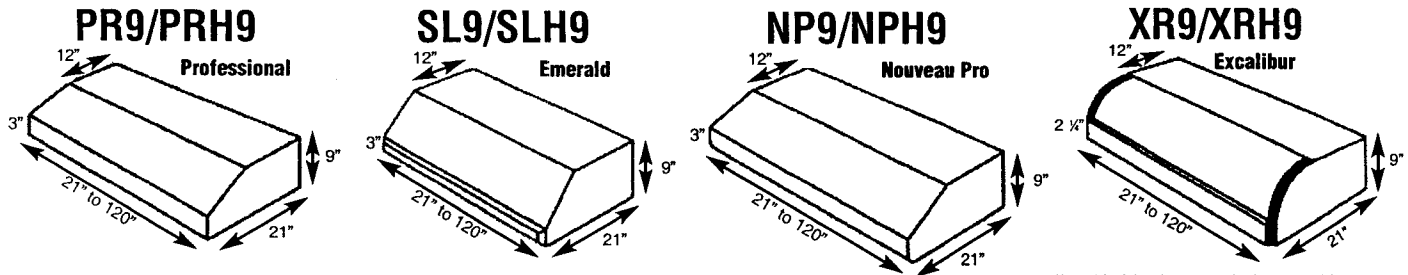


# Vent-A-Hood<sup>®</sup> SPECIFICATION SHEET

MODELS: PR9, PRH9 Professional, SL9, SLH9 Emerald, NP9, NPH9 Nouveau Pro, XR9, XRH9 Excalibur

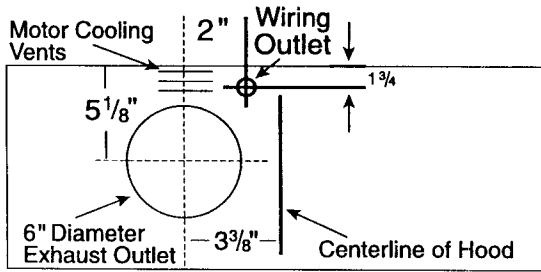
Note: "H" in part number indicates halogen lighting.



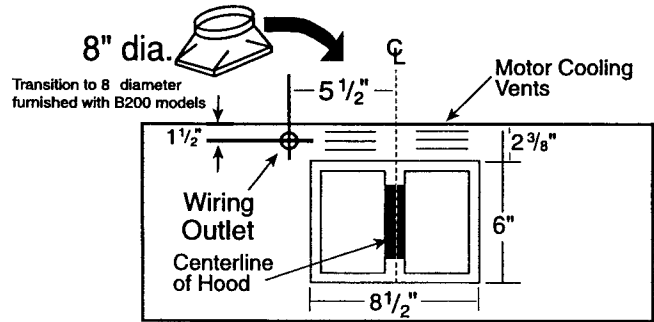
Note: Black bands are standard on XR9/XRH9 model.

Model WL-1 warming lights are available on selected models.

TOP VIEW - B100 Single Blower Location



TOP VIEW - B200 Dual Blower Location



## ELECTRICAL/MECHANICAL SPECIFICATIONS FOR BLOWER UNITS

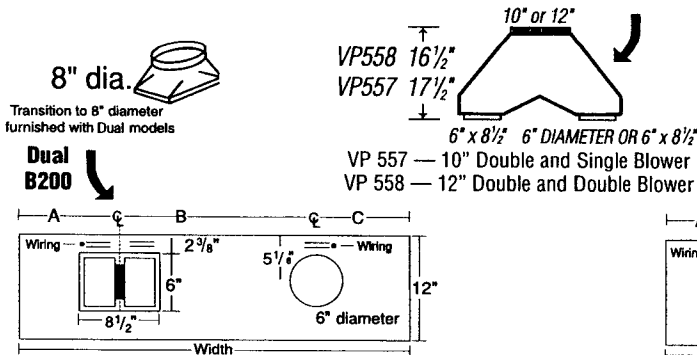
Model	Motor	Type	Volts	Amps	HZ	RPM	CFM SP@.0\"	Equivalent CFM	CFM SP@.0.1\"	CFM SP@.0.2\"	CFM SP@.0.3\"	Minimum Round Duct Size	Square Inches
B100 Single	1/25	Shaded Pole	115	1.7•	60	1550	300	450	286	270	240	6\" (or equivalent)	28
B200 Dual	(2) 1/25	(2) Shaded Pole	115	3.4•	60	1550	600	900	572	540	480	8\" (or equivalent)	50

• Note: Add 2.5 amps for each warming light and 1.0 additional amp for each halogen light bulb. Equivalent CFM explained in the checklist on page 19 of literature.

**Lighting:** Hood is available with fluorescent light (1 for each single or dual blower) or with halogen lights - 24\" to 41\" - 2 lights, 42\" to 53\" - 3 lights, 54\" to 66\" - 4 lights, 66\" + 1 light for each 16\" of width.

**EP Transition** — Available for Multiple Blower Application at Additional Charge

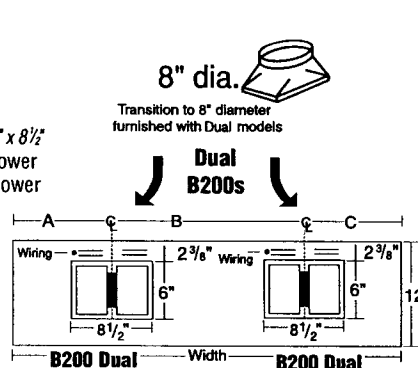
This will "Center" 10\" or 12\" Duct on Top of Hood.



Top View — Single and Dual Blower (B300)

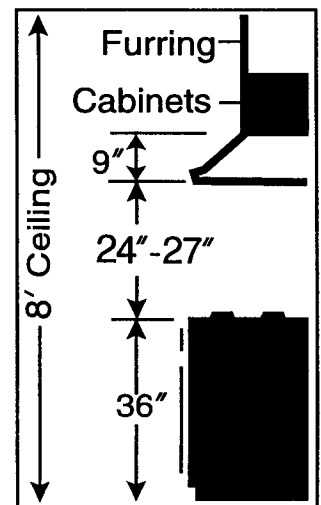
Blowers are spaced 14 5/8\" center to center on the top of the hood. To find the centerlines of each duct opening, find the center of the top of the hood, and measure 7 5/8\" to the left, and 7 5/8\" to the right. Only available on hoods 42\" to 66\" wide.

For hoods greater than 66\" in width, ask for blower locations.



Top View — Two Dual Blowers (B400)

Blowers are spaced 22\" center to center on the top of the hood. To find the centerlines of each duct opening, find the center of the top of the hood, and measure 11\" to the left, and 11\" to the right. Only available on hoods 48\" to 66\" wide.



**SPECIFICATIONS SUBJECT TO CHANGE WITHOUT NOTICE.**