

PROF24FSEXV

PROFESSIONAL SERIES

24" ELECTRIC CONVECTION OVEN



Bring Italian design and precision into your kitchen with this Bertazzoni built-in oven, engineered to install proud or flush in any type of kitchen cabinet.

Cook to perfection with Bertazzoni convection fan, providing best-in-class even heat throughout the extra large 2.7 cu.ft oven cavity.

Evenly bake large batches of cookies using all 5 levels of the oven.

Sear juicy steaks and broil delicate fish fillets under the full-width 6 pass broiler.

Enjoy the convenience of soft-motion balanced doors and no-fingerprint stainless steel.

Designed and manufactured with pride in Italy.

Industry leading 2 years parts and labor warranty.

PRODUCT FEATURES

Oven type	Electric convection manual clean with electric broiler
Power rating (Rating at 240V)	Bake: 2050 W Broiler: 2400 W Convection: 1800 W
Oven Volume	2.7 cu.ft.
Convection System	1 Fan
User interface	Touch LED display
Cooking modes	Bake, Bottom heat bake, Broil, Convection, Convection bake, Convection broil, Pizza, Upper heat bake
Special features	Defrost, Dehydrate, Fast preheat, Light, Proof, Timer
Shelf levels	5
Door hinges	Soft-motion
Included accessories	1 wire shelf flat + 1 wire shelf shaped 1 baking tray with roasting trivet

TECHNICAL SPECIFICATIONS

Electrical supply	120/240 V 60 HZ - 2800 W 208-240 V 60 HZ - 2100 W 16 Amp dedicated circuit
Power connection	Metal conduit with 59" power cord
Certification	UL
Warranty	2 years parts & labor
Packaging dimensions and weight	W 26" H 27 1/2" D 22 3/4" 84.0 lbs

OPTIONAL ACCESSORIES

901490	Telescopic glide set for PROF Series 24" wall ovens
--------	---

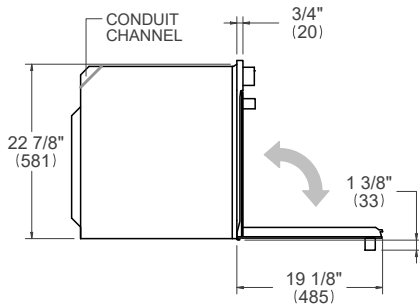
PROF24FSEXV

PROFESSIONAL SERIES
24" ELECTRIC CONVECTION OVEN

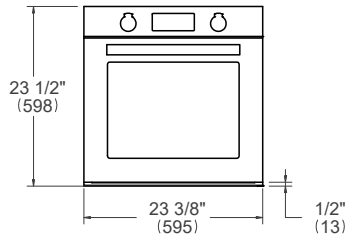


PRODUCT DIMENSIONS

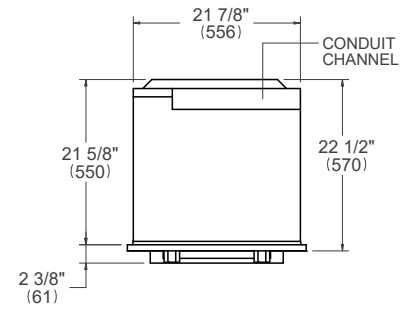
SIDE VIEW



FRONT VIEW

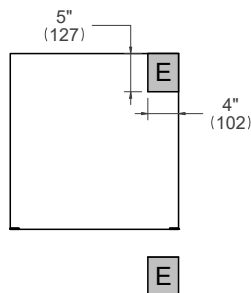


TOP VIEW



ELECTRICAL CONNECTION

FRONT VIEW



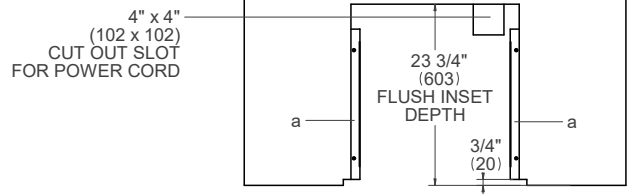
For single ovens installed into a wall cabinet, the electrical junction box may be located above, below to the left or right of the unit within reach of the power cord. Placement within the opening may require additional cabinet depth.

INSTALLATION REQUIREMENTS

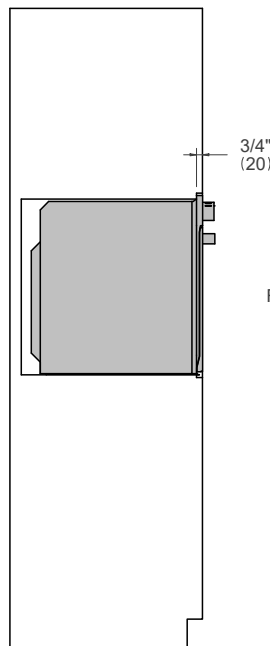
Minimum suggested load on cabinet base board is 155 lb (70 kg)

CUTOUT DIMENSIONS

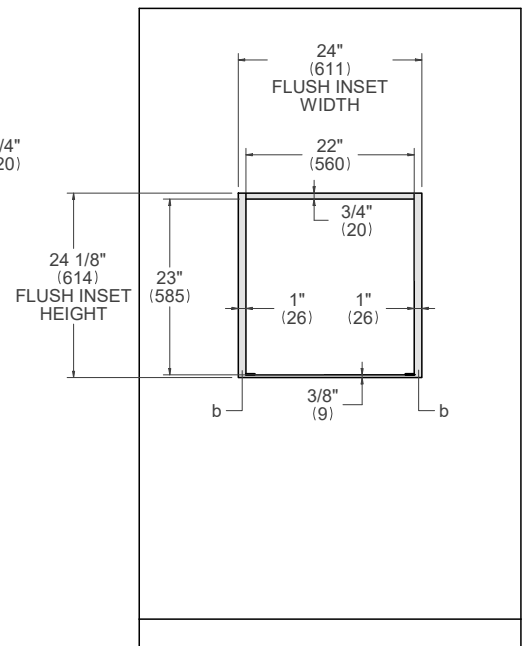
TOP VIEW



SIDE VIEW



FRONT VIEW



- (a) Spacers – Included with appliance
- (b) Visible Area – Match finish to outside cabinet panels

For installation of multiple products in combination, refer to the Design Guide at us.bertazzoni.com or ca.bertazzoni.com