

Dual Fuel Range, 36", 6 Burners, Self-cleaning, LPG

Series 9 | Professional

Stainless Steel with Black Glass | LPG

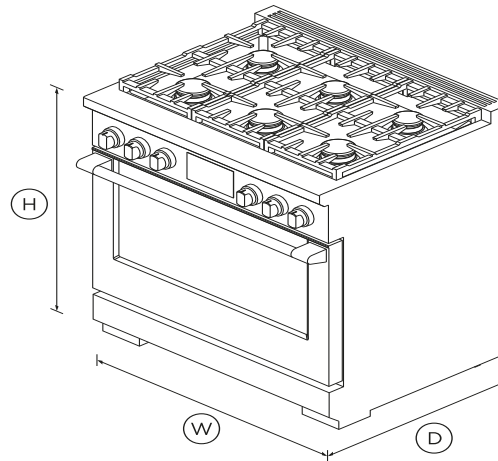


Get the best of gas and convection technology in this striking range with intuitive touchscreen and specialized cooking functions.

- Guided cooking using your touchscreen makes it simple to cook by food, function or recipe.
- Top burner heat of 19,000 BTU, for seriously fast boiling
- 4.8 cu ft total oven capacity
- Beautiful LED halo-illuminated dials provide information at a glance

DIMENSIONS

Height	35 ³ / ₄ - 36 ³ / ₄ "
Width	35 ⁷ / ₈ "
Depth	29 ¹ / ₈ "



FEATURES & BENEFITS

Cook with confidence

Our touchscreen interface provides an intuitive guided cooking experience that helps deliver perfect results, whether you've been cooking all your life or just starting out. Cook with a favorite method, a hero ingredient, or a go-to cooking function or recipe. The screen tilts for improved ergonomics and optimal visibility while cooking.

SPECIFICATIONS

Accessories

Square handle option	AH-R36
----------------------	--------

Capacity

Total capacity	4.8cu ft
----------------	----------

Cleaning

Dishwasher proof trivets	•
Pyrolytic self-clean	•

Controls

High resolution display	•
Metal illuminated dials	•
Sabbath mode	•
Wifi connectivity	•

Gas requirements

Fitting and pipe	½ NPT, min. ⅝" Ø flex
Supply Pressure (LPG)	11" to 14" W.C

Main oven features

Bake	•
Clean	•
Convection Bake	•
Convection Broil	•
Large broil pan	•
Main oven- Self cleaning	•
Main oven- True convection	•
Number of main oven functions	15

Oven features

Concealed element	•
Electronic oven control	•
Full extension telescopic	2
Internal light	•
Pyrolytic self-clean	•

Oven functions

Pyrolytic self-clean	•
----------------------	---

Oven performance

Main Oven Shelf Positions	5
Main oven- Bake	4600W
Main oven- Broil	4000W
Main oven- True convection	2500W

Power requirements

Electric circuit	4 wire
Rated current	30
Supply frequency	60Hz
Supply voltage	120 - 240V

Product dimensions

Depth	29 ¹ / ₈ "
Depth (Excluding handles)	29 ¹ / ₈ "
Height	35 ³ / ₄ - 36 ³ / ₄ "
Height (excluding vent trim)	35 ³ / ₄ - 36 ³ / ₄ "
Width	35 ⁷ / ₈ "

Rangetop features

Sealed Dual Flow Burners™	6
Simmer on all burners	140°F
Vent trim included	Flat vent trim

Rangetop Performance

Max burner power	19000BTU
Power back centre	13000BTU
Power back left	13000BTU
Power back right	13000BTU
Power front centre	15000BTU
Power front left	19000BTU
Power front right	19000BTU
Total cooktop power	92000BTU

Safety

Full extension telescopic	2
---------------------------	---

Warranty

Parts and labor	Limited 2 Years Parts & Labor
-----------------	-------------------------------

SKU	81899
-----	-------

The product dimensions and specifications in this page apply to the specific product and model. Under our policy of continuous improvement, these dimensions and specifications may change at any time. You should therefore check with Fisher & Paykel's Customer Care Centre to ensure this page correctly describes the model currently available. © Fisher & Paykel Appliances Ltd 2019.

**A PEACE OF MIND SALE**

24 Hours 7 Days a Week Customer Support

T 1300 650 590 W www.fisherpaykel.com