

# RF29A9675

SAMSUNG

## 29 cu. ft. Smart BESPOKE 4-Door Flex™ Refrigerator with Customizable Panel Colors



### Signature Features

#### Customizable Door Colors

Customize the design of your refrigerator with changeable color door panels. Choose from 8 colors and 2 finishes to create a space that fits your style – the options are endless.

#### Beverage Center

Quick access to refreshingly cool, filtered water two ways. Choose from an internal dispenser or a built-in pitcher that automatically refills, with the option to infuse with a flavor.

#### Dual Ice Maker with Ice Bites

Enjoy your favorite beverage with your choice of ice. Select from cubed ice or Ice Bites that chill your drink faster. Makes up to 6 lbs per day, stores up to 9 lbs total.

### BESPOKE 4-Door Flex™ Standard Color Models



### BESPOKE Panel Color Selection



### Design

- Customizable Door Colors
- Beverage Center
- Modern Design
- LED Lighting

### Technology

- Dual Ice Maker with Ice Bites and Cubed Ice
- UV Deodorizing Filter
- Wi-Fi Enabled

### Performance

- FlexZone™
- Extra-Large Flexible Storage
- FlexCrisper
- Triple Cooling

### Rating



ENERGY STAR® rated:  
704 kWh/yr



ADA Compliant

# RF29A9675

# SAMSUNG

## 29 cu. ft. Smart BESPOKE 4-Door Flex™ Refrigerator with Customizable Panel Colors

### Installation Specifications

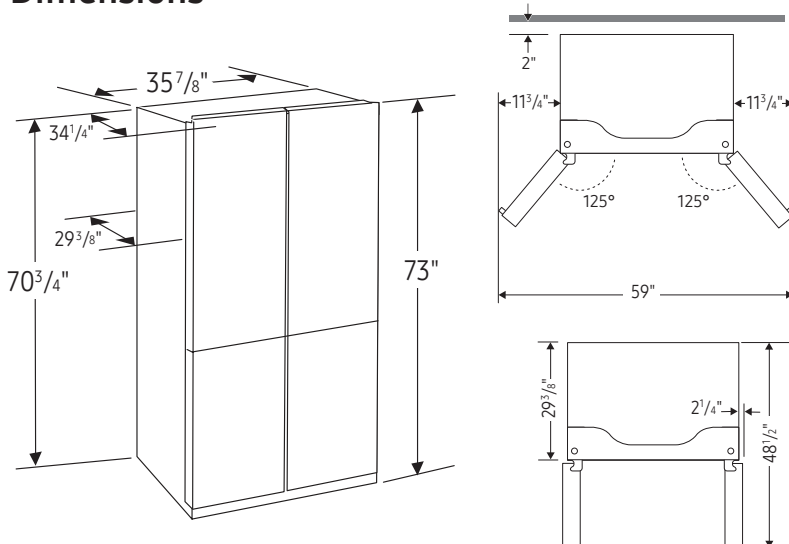
1. Measure the height, width and depth of the opening, making sure to include baseboards, molding tile, countertop overhang, etc. Check to be sure there is enough room to open the door (consider walls, islands or other obstacles when measuring).
2. Refer to illustration below to determine dimensions.
3. Allow 2.5" of clearance on hinge side of refrigerator when installing next to a wall where handle may make contact.
4. Allow 1" minimum clearance at rear for proper air circulation and water/electrical connections. Allow a 3/8" minimum clearance at sides and top for ease of installation.
5. Ensure each door and entryway in the home is wide enough for the refrigerator to be moved through easily.

For optimal usage and ability to open refrigerator doors completely, do not install next to a wall.

Please note: The following dimension and cutout information is for planning purposes only. For complete installation details, consult manual packed with product or download manual online at [samsung.com](http://samsung.com).



### Dimensions



**Total Capacity: 29 cu. ft.**

**Refrigerator: 17.4 cu. ft.**

- 4 Tempered Glass Spill-Proof Shelves
- 2 Clear Drawers: FlexCrisper and Crisper+
- 6 Door Bins
  - Right: 1 Gallon Bin, 2 Regular Bins
  - Left: 1 Gallon Bin, 2 Regular Bins
- LED Lighting

**Freezer: 11.6 cu. ft.**

- Dual Ice Maker in Freezer (Cubed Ice or Ice Bites)
  - 2 Ice Buckets with Cover and 1 Scoop
- 3 Slide-Out Shelves
- 2 Clear Drawers
- 6 Door Bins
- LED Lighting

### Accessories

Water Filter: HAF-QIN

### Warranty

One (1) Year Parts and Labor on Refrigerator  
Five (5) Years Parts and Labor on Sealed Refrigeration System Only\*  
Ten (10) Years Parts and Five (5) Years Labor on Digital Inverter Compressor  
\*Compressor, evaporator, condenser, drier and connecting tubing.

### Product Dimensions

Dimensions (WxHxD with hinges and doors):  
35 7/8" x 73" x 34 1/4"

Dimensions (WxHxD without hinges and door):  
35 7/8" x 70 3/4" x 29 3/8"

### Shipping Dimensions (WxHxD)

Dimensions: 38 1/4" x 78 5/8" x 36 1/4"

Color	Model #	UPC Code	Product & Shipping Weight (lbs)	
Matte Black Steel	RF29A9675MT	887276525785	352.7	374.8
Navy Glass	RF29A967541	887276525761	361.6	383.6
White Glass	RF29A967535	887276595337	164	174
Custom Panel-Ready	RF29A9675AP	887276525778	330.7	352.7