

SSC2489DS SUPERSTEAM+™ OVEN INSTALLATION MANUAL

SPECIAL WARNING

INSTALLATION AND SERVICE MUST BE PERFORMED BY A QUALIFIED INSTALLER.
IMPORTANT: SAVE THIS INSTALLATION MANUAL FOR LOCAL ELECTRICAL INSPECTOR'S USE.
READ AND SAVE THESE INSTRUCTIONS FOR FUTURE REFERENCE.

CLEARANCES AND DIMENSIONS

For SAFETY CONSIDERATIONS do not install oven in any combustible cabinetry which is not in accord with the stated clearances and dimensions on page 3, Figure 2 or page 4, Figure 3.

UNPACKING YOUR OVEN

- Remove all packing materials from inside the oven.
- Check the oven for any damage, such as misaligned or bent oven, damaged oven seals and sealing surfaces or dents inside the cavity or on the front side of the oven. If there is any damage, do not operate the oven. Contact your dealer or a SHARP AUTHORIZED SERVICER.

IMPORTANT NOTES TO THE INSTALLER

- Read all of the Installation Manual before installing the oven.
- Remove all packing material before connecting the electrical supply.
- Observe all governing codes and ordinances.
- Be sure to leave these instructions with the consumer.

IMPORTANT NOTES TO THE CONSUMER

- Keep this manual with your Operation Manual for future reference.
- As when using any oven generating heat, there are certain safety precautions you should follow. These are listed in the Operation Manual. Read all and follow carefully.
 - This oven should only be installed and grounded properly by a qualified installer or service technician.

IMPORTANT SAFETY INSTRUCTIONS

⚠ WARNING If the information in this manual is not followed exactly, a fire or electric shock may result that could cause property damage, personal injury or death.

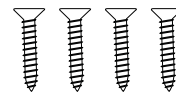
- This oven must be electrically grounded in accordance with local codes.
- Do not install this oven if the surrounding wall coverings and the cabinets cannot withstand the heat generated by the oven.

⚠ WARNING Never leave children alone or unattended in the area where an oven is in use.

- **Do not use the oven as a storage space.** This creates a potentially hazardous situation.

INSTALLATION HARDWARE

NAME	QTY	PART CODE
Wood Screws	4	XTSS740P20000



OVEN MEASUREMENTS

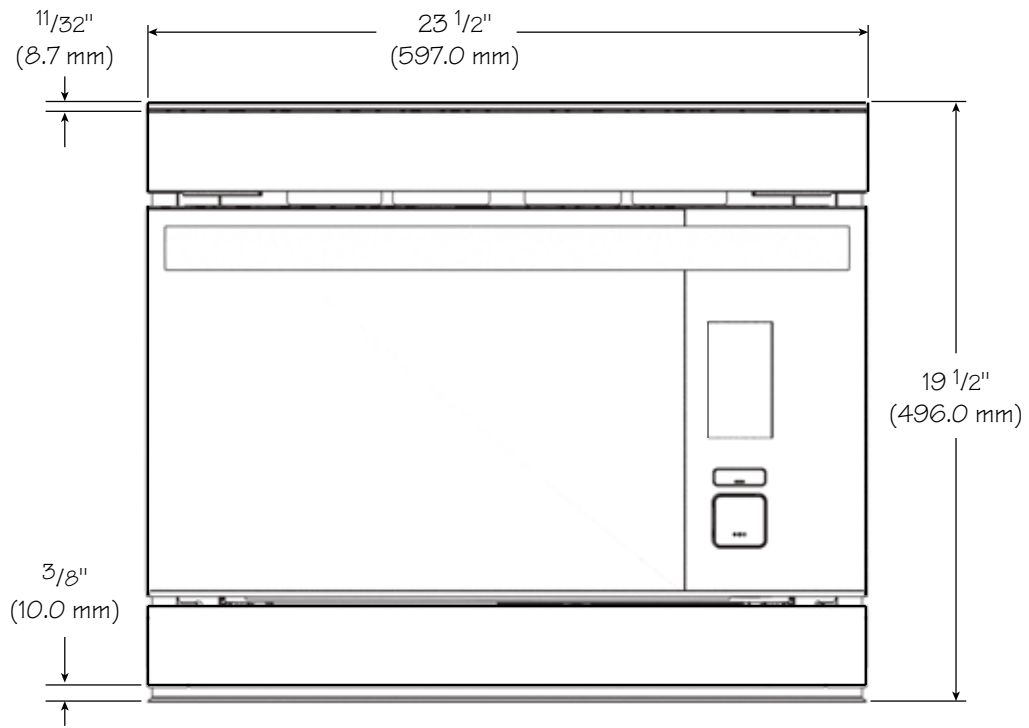


Figure 1A

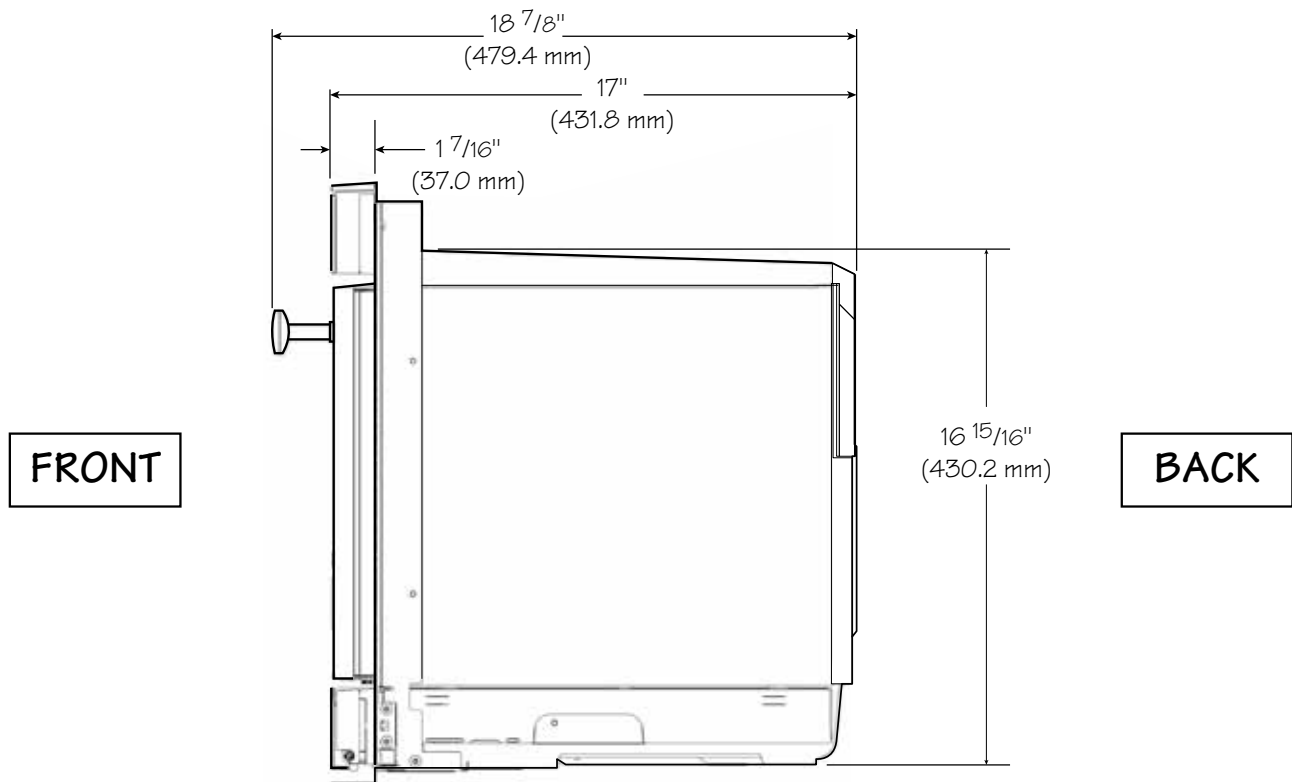


Figure 1B

CLEARANCES AND DIMENSIONS FOR STANDARD SURFACE MOUNT

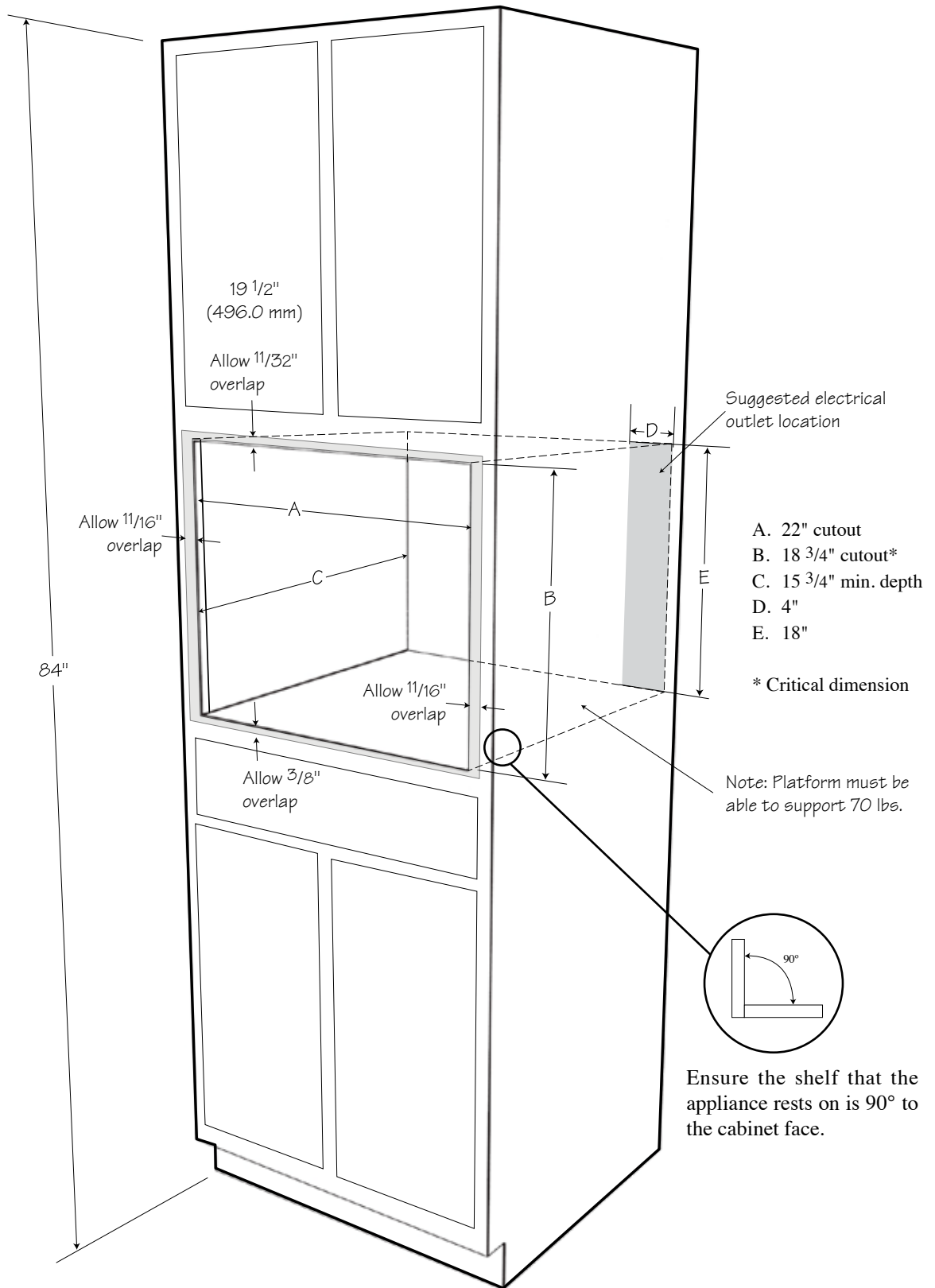


Figure 2

CLEARANCES AND DIMENSIONS FOR FLUSH MOUNT

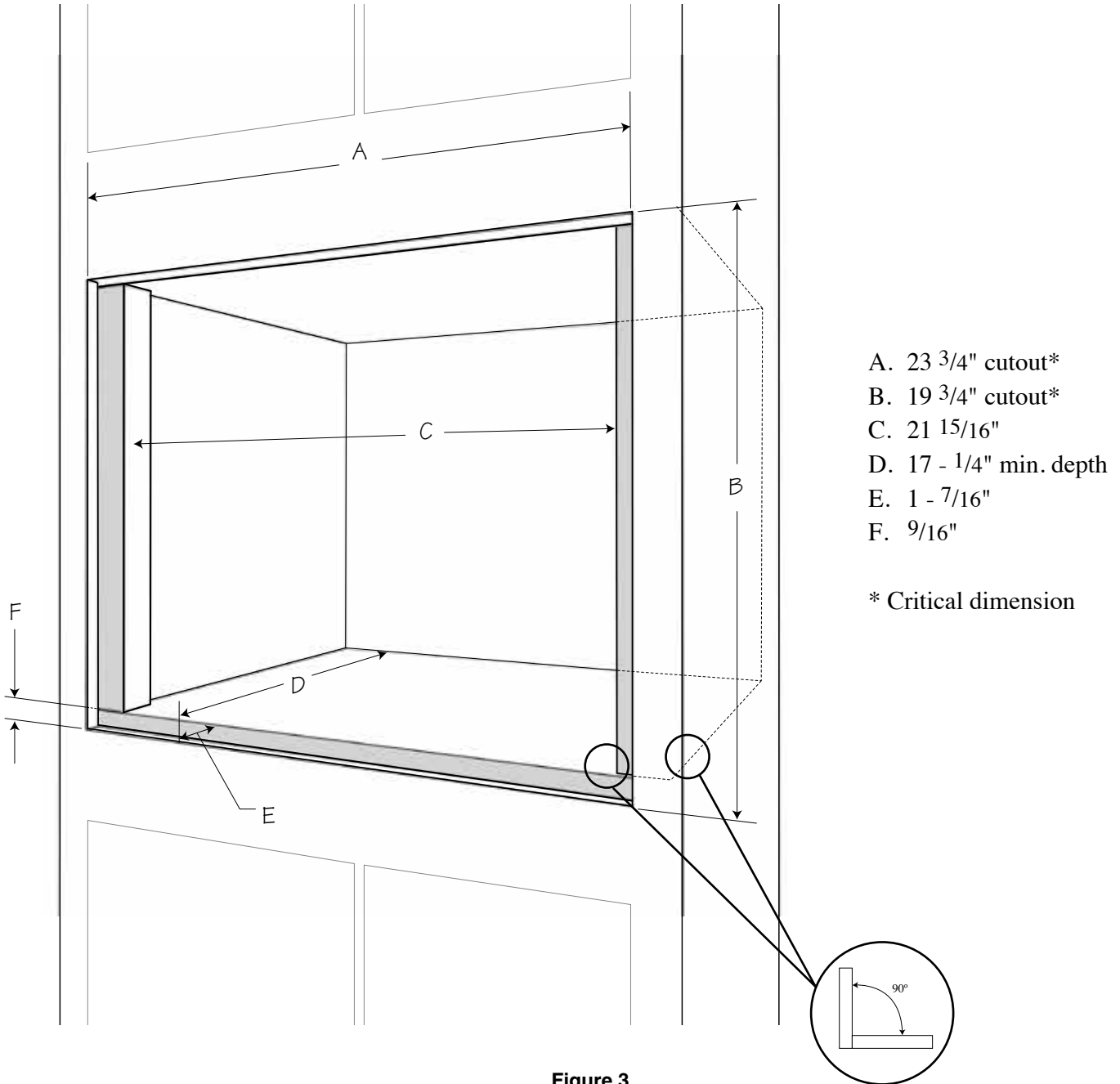


Figure 3

Ensure the shelf that the appliance rests on is 90° to the cabinet face.

INSTALLATION INSTRUCTIONS

⚠ WARNING Always use caution lifting heavy products.

1. Open the SuperSteam+ Oven door and use lift points in Figure 4. Place the oven adjacent to the wall or cabinet opening. **DO NOT LIFT OVEN WITH HANDLE.** Plug the power supply cord into the electrical outlet.
2. Carefully guide the SuperSteam+ Oven into the prepared opening. Avoid pinching the cord between the oven and the wall.
3. Slide the oven all the way until the mounting flange is flush with the face of the cabinet. See Figure 6.

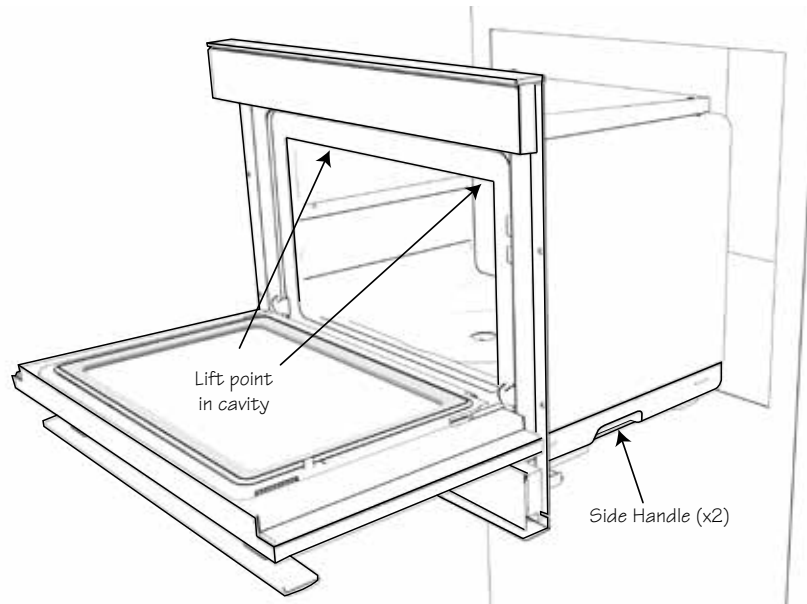


Figure 4

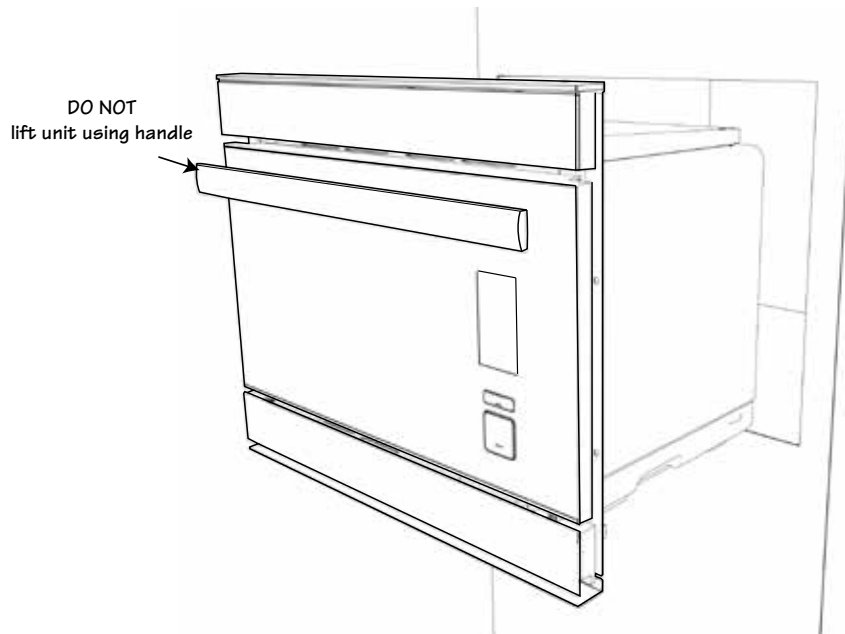


Figure 5

INSTALLATION INSTRUCTIONS

4. Open the door. Using the 4 holes on the oven as a template, pre-drill the cabinet using a 1/16" bit. See Figure 6.
5. Secure the SuperSteam+ Oven with the 4 screws supplied. See Figure 6.

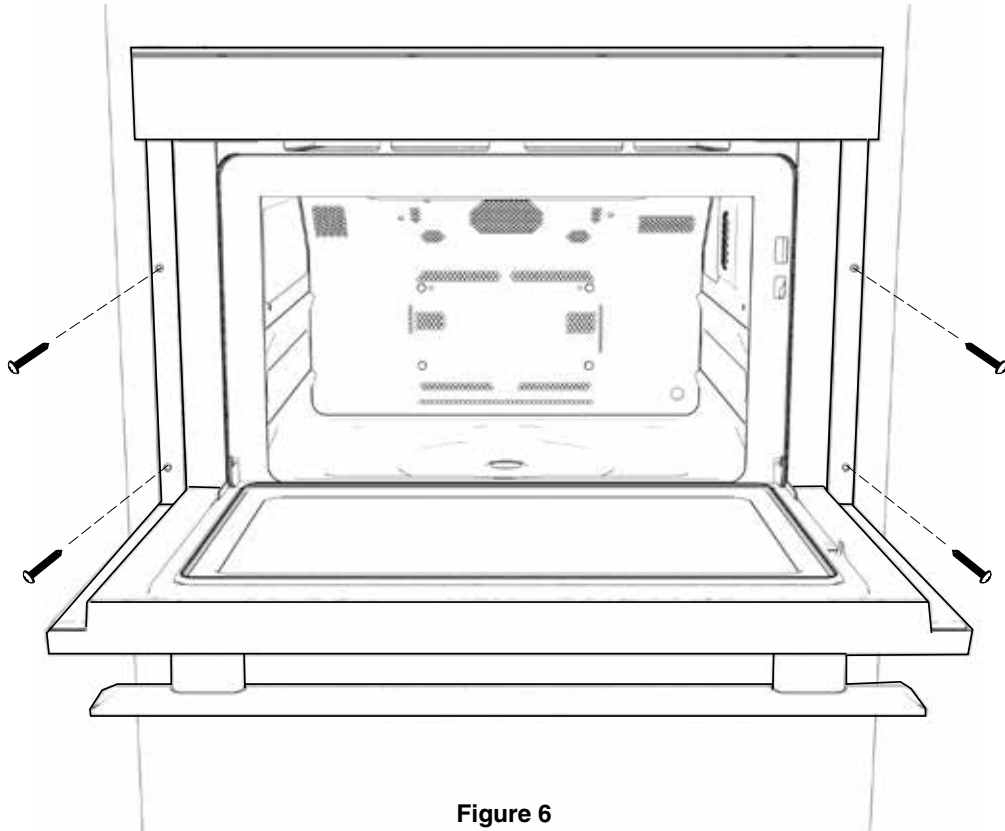


Figure 6

ELECTRICAL OUTLET

The electrical requirements are a 120 volt 60 Hz, AC only, 15 amp. or more protected electrical supply. It is recommended that a separate circuit serving only this appliance be provided.

The oven is equipped with a 3-prong grounding plug. It must be plugged into a wall receptacle that is properly installed and grounded. Should you only have a 2-prong outlet, have a qualified electrician install a correct wall receptacle.

Note: If you have any questions about the grounding or electrical instructions, consult a qualified electrician or serviceperson.

* *Can also be installed using an electrical outlet in an adjacent cabinet within the area where the provided electrical cord can reach.*

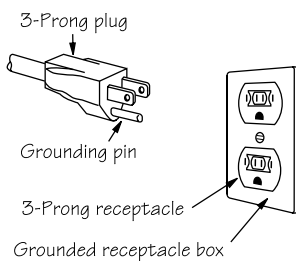
Always check electrical codes for requirements.

GROUNDING INSTRUCTIONS

This appliance must be grounded. The oven is equipped with a 3-prong plug which includes a grounding pin. It must be plugged into a wall receptacle that is properly installed and grounded in accordance with the National Electrical Code and local codes and ordinances. In the event of an electrical short circuit, grounding reduces risk of electric shock by providing an escape wire for the electric current.

⚠ WARNING Improper use of the grounding plug can result in a risk of electric shock. **Do not use an extension cord. If the power supply cord is too short, have a qualified electrician or serviceperson install an outlet near the appliance.**

Permanent and Correct Installation



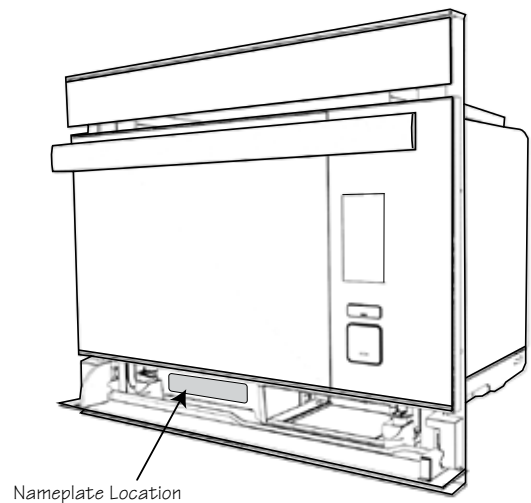
BEFORE YOU CALL FOR SERVICE

Read the BEFORE YOU CALL and operating instruction sections in your Operation Manual. It may save you time and expense. The list includes common occurrences that are not the result of defective workmanship or materials in this SuperSteam+ Oven.

Refer to the warranty in your Operation Manual for Sharp's toll-free service number and address. Please call or write if you have inquiries about your SuperSteam+ Oven product and/or need to order parts.

MODEL AND SERIAL NUMBER LOCATION

The model number and serial number are printed on the nameplate. To access the nameplate, open the drip tray door and remove the drip tray. The nameplate is located to the left of the reservoir.



CARE, CLEANING AND MAINTENANCE

Refer to the Operation Manual for cleaning instructions.

SHARP[®]

SHARP ELECTRONICS CORPORATION • 100 Paragon Drive • Montvale, New Jersey 07645 • USA

TINSKB265MRR0

MAY 2, 2019