

FEATURES & BENEFITS



STAINLESS SOLID



INTEGRATED SOLID



INTEGRATED SOLID (STAINLESS HANDLELESS PANEL)*

PERFORMANCE	<ul style="list-style-type: none"> • Daily ice production of up to 55 lbs of ice • Up to 25 lbs in ice storage capacity • Clear ice cube dimensions: 7/8" W x 7/8" H x 7/8" L • Clear ice cube fullness can be adjusted • Silent mode temporarily suspends ice making for 3 hours • U-Select® Control with digital OLED display • Indicator alert notifies user when cleaning is needed • Easy clean process only lasts 45 minutes
INTERIOR/EXTERIOR	<ul style="list-style-type: none"> • Black interior is illuminated with LED theater lighting • Clear heavy duty ice scoop included • Drain required • Factory installed drain pump model recommended if a gravity drain is not accessible • Stainless steel handle (7/8" diameter) • The door swing is field reversible, and is shipped right-hand hinged
INTEGRATION	<ul style="list-style-type: none"> • Robust, concealed and covered hinges with built-in door stop and closer • Adjustable grille can be shifted front-to-back and up-and-down • Grille can accept an integrated toe-kick • Integrated model requires 3/4" custom panel of your choice, or can accept U-Line Handleless Stainless Panel Accessory (must be ordered separately) • Four independently adjustable leveling legs

Model Details

Model	Voltage/Hz	Door Swing	Pump	Finish	Shipping Weight
U-3018CLRS-00C	115 / 60	Field Reversible	-	Stainless Solid	118 lb
U-3018CLRS-40C	115 / 60	Field Reversible	Pump Included	Stainless Solid	124 lb
U-3018CLRINT-00C	115 / 60	Field Reversible	-	Integrated Solid	110 lb
U-3018CLRINT-40C	115 / 60	Field Reversible	Pump Included	Integrated Solid	116 lb

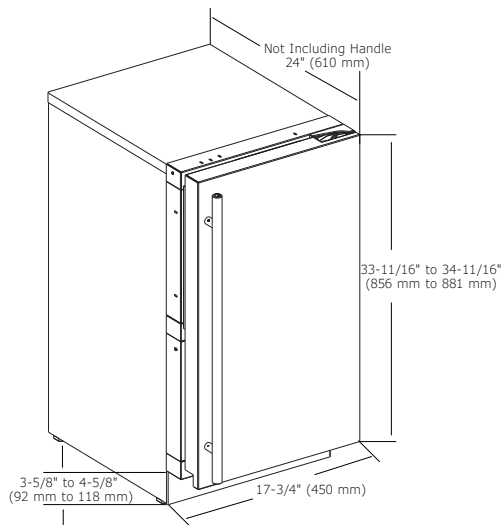
Accessories

Model	Description	Finish	Shipping Weight
ULACLR CLEAN	Clear Ice Machine Cleaner (1 Box of 6 Packets)	N/A	1 lb
ULASHP18SOLID*	Stainless Handleless Panel Solid	Stainless	9 lb
ULAWATERHOOKUP	Braided Water Supply Line Kit	N/A	2 lb

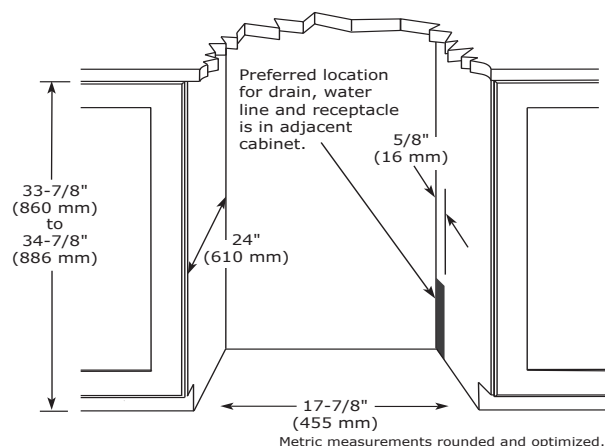
*Installs on integrated models.

DIMENSIONS

Dimensions shown apply to all finishes, including Integrated (INT) models with 3/4" integrated panel/frame installed.



CABINET CUT-OUT



INSTALLATION NOTES

- When installing adjacent to wall, ensure 2 1/2" clearance on hinged side for 90° door opening, allowing ample room for door handle.
- No additional clearance around sides, top or rear of unit is needed for ventilation.
- Do not obstruct front grille air flow.

SPECIFICATIONS

Model	3018CLR
Amps: Running	4
Amps: Ice Harvest	5.5
Control Type	U-Select®
Defrost Type	N/A
Dimensions: Product Depth	24" / 610 mm
Dimensions: Product Height	33 11/16" / 856 mm
Dimensions: Product Width	17 3/4" / 450 mm
ENERGY STAR	N/A
Ice Production Per Day	55 lb
Ice Storage	25 lb
Panel Height	30" / 762 mm
Panel Thickness	3/4" / 20 mm
Panel Type	Solid Panel
Panel Width	17 5/8" / 445 mm
Product Weight: Max	114 lb
Refrigerant Type	R600a
Sabbath (Star K Certified)	Yes

ELECTRICAL REQUIREMENTS

This unit requires a grounded, polarized 115 VAC, 60 Hz, 15 A power supply (normal household current).

- 1 Year (parts & labor) / 5 year sealed system (parts)
- + **Additional 1 Year (parts & labor) warranty at no cost with product registration**

See complete warranty for details



Please visit u-line.com to view this model's User Guide & Service Manual. All Specifications are subject to change without notice.

8900 North 55th Street • Milwaukee, Wisconsin 53223 USA • +1.414.354.0300 • sales@u-line.com • u-line.com