

VSL 400 SERIES (19 1/4" Models) RANGE HOOD LINERS

For those who need ventilation performance and desire the commercial style baffle filters, our VSL 400 Series Liner will exceed your expectations.

**VSL400 SERIES
19 1/4" Depth**

Experience...

REMOTE CONTROL

- Easy to operate
- Optional automatic 5 minute shut off timer



EASY CLEANING

- Dishwasher safe commercial baffle filters
- Leading edge design is easy to clean. Eliminates grease traps.
- No unsightly screws to clean around.

QUIET OPERATION

- Rubber-mounted motor & large, squirrel-cage blowers reduce sound and vibration noise (390 CFM, 600 CFM, & 1200 CFM models)
- Variable or 3-speed motor control (varies by model) reduces blower and air movement sound
- Large, baffle filters reduce air movement sound
- Sound absorbing duct silencers, Neoprene® lined sound absorbing fast clamps & dampers available

ENDURING QUALITY

- Internal motor models deliver 390 CFM, 600 CFM, and 1200 CFM
- Optional in-line blowers delivers 836 CFM or 1266 CFM
- Commercial grade stainless steel (#304 grade with #4 brush finish) and galvanized steel construction
- Oversized baffle filters improve ventilation performance
- Two LED lights brighten cooking area; three on 48", 54", 60", four on 72" models
- Performance tested by Energy Systems Laboratory at Texas A&M University

DISTINCTIVE LOW PROFILE DESIGN

- Style complements ALL custom and manufactured wood hood designs
- Electronic touch controls with blue LED lighting, with NEW REMOTE CONTROL (for units with internal blower)
- Metallic control knobs with infinite variable switch for external blower applications
- Simplicity of design preferred by home owners

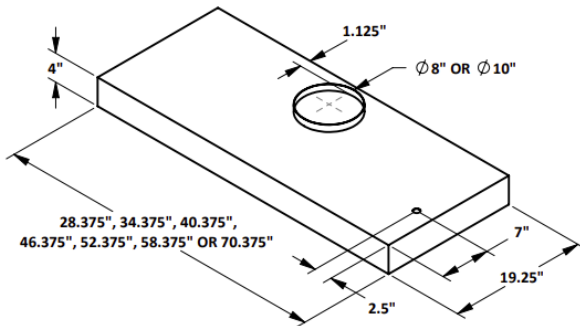
EASY INSTALLATION

- Remote blower models pre-wired for use with most in-line or exterior blowers
- Installs easily in standard size or custom built wood range hoods
- Wiring diagram label for simple electrical connection

VSL 400 SERIES (19 1/4" Models) RANGE HOOD LINERS

Pic	CFM	Models Available (by Width)							Sones	Control	Blower
		30 ^{3/8"}	34 ^{3/8"}	40 ^{3/8"}	46 ^{3/8"}	52 ^{3/8"}	58 ^{3/8"}	70 ^{3/8"}			
A	-	-	VSL436-0-19BF	VSL442-0-19BF	VSL448-0-19BF	VSL454-0-19BF	VSL460-0-19BF	VSL472-0-19BF	N/A	Variable	In-Line or Remote Mount Blower
B	390	VSL430319RC	VSL436319RC	-	-	-	-	-			Internal Motor
C	600	VSL430619RC	VSL436619RC	VSL442619RC	VSL448619RC	-	-	-	7.5	3-Speed	Internal Motor
D	1200	-	-	VSL4421219RC	VSL4481219RC	VSL4541219RC	VSL4601219RC	VSL4721219RC	8.5	3-Speed	Two Internal Motors

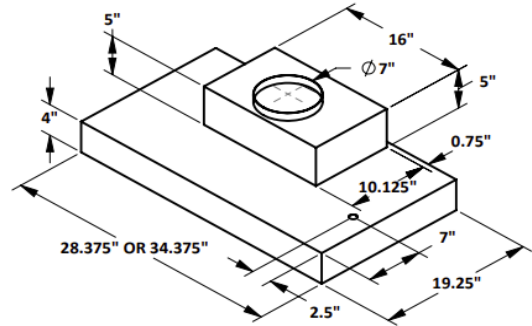
A



Notes:

- Center of electrical access is 7" from front & 2 1/2" from side of liner. Connection access is behind filters.
- Vent is 8" (36" widths) or 10" (42", 48", 54", 60", & 72" widths). Damper *not* included.
- Length & width cutouts should be 1/8" larger than above dimensions.

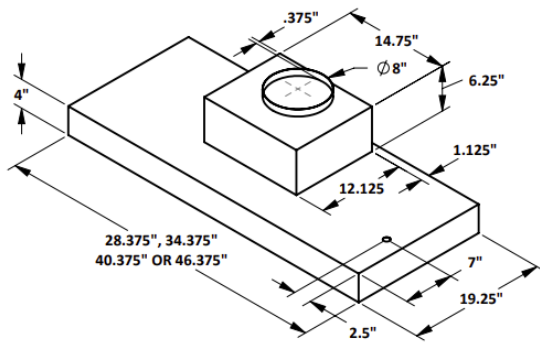
B



Notes:

- Center of electrical access is 7" from front & 2 1/2" from side of liner. Connection access is behind filters.
- Damper *not* included.
- Length & width cutouts should be 1/8" larger than above dimensions.

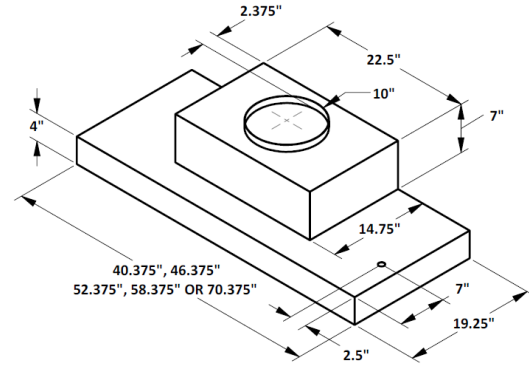
C



Notes:

- Center of electrical access is 7" from front & 2 1/2" from side of liner. Connection access is behind filters.
- Damper *not* included.
- Length & width cutouts should be 1/8" larger than above dimensions.

D



Notes:

- Center of electrical access is 7" from front & 2 1/2" from side of liner. Connection access is behind filters.
- Damper *not* included.
- Length & width cutouts should be 1/8" larger than above dimensions.

Trade-Wind Manufacturing, LLC has a policy of continuous improvements and reserves the right to modify (at any time without notice) any or all of its products, features, designs, components and specifications. For further information on installation and wiring, see the installation instructions included with the product or visit us on the web.

For more information, please contact your dealer or your Trade-Wind® representative.



TRADE-WIND

800 West Grant Street, Phoenix, AZ 85007
1-800-955-5737
602-900-8500
t-wusa.com



TRADE-WIND

Revised 11/3/21

© 2021 Trade-Wind Manufacturing, LLC

Proverbs 22:29