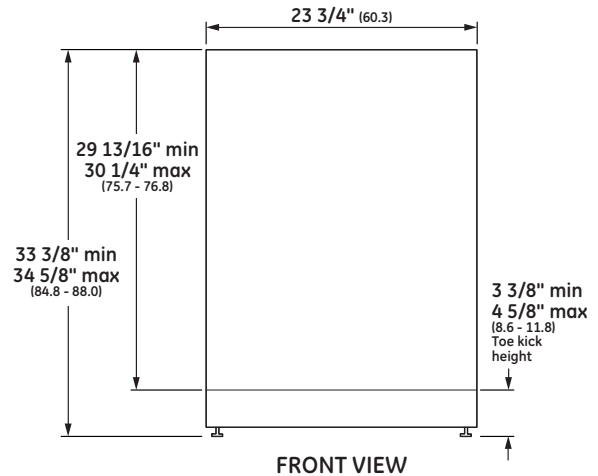
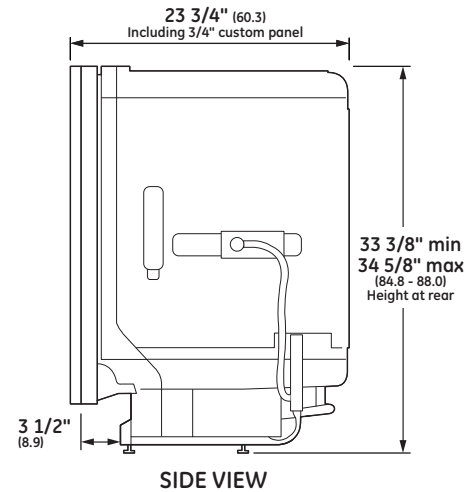




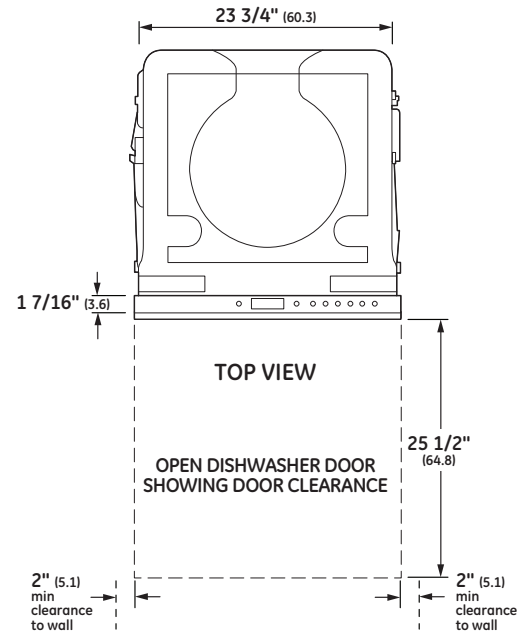
OVERALL DIMENSIONS



FRONT VIEW



SIDE VIEW



TOP VIEW

OPEN DISHWASHER DOOR  
SHOWING DOOR CLEARANCE

SPECIFICATIONS

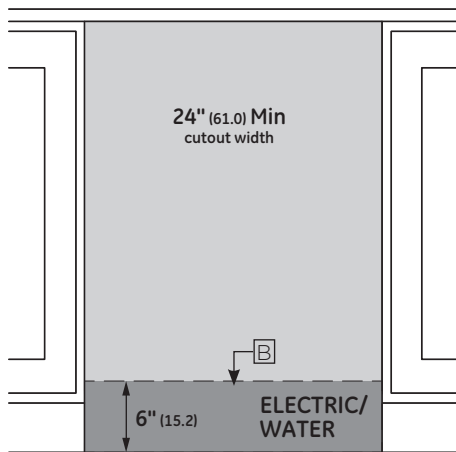
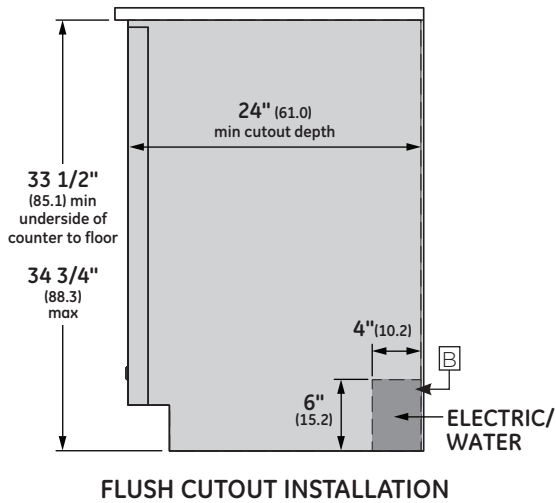
Overall Width	23 3/4" (60.3)
Overall Height	33 3/8" (84.8 cm) Min 34 5/8" (88.0 cm) Max
Overall Depth	23 3/4" (60.3 cm) including 3/4" custom panel
Door Clearance	25 1/2" (64.8 cm)
Overall Dishwasher Capacity	16 Place Settings
Minimum Cabinet Width	24" (61 cm)
Minimum Cabinet Depth	24" (61 cm)
Cutout Width	24" (61 cm)
Cutout Height	33 1/2" (85.1 cm) Min 34 3/4" (88.3 cm) Max
Electrical Requirements	10.2 A
Hose Length	No more than 12' (3.7 m)
Voltz/Hertz/Amps	115 V, 60 Hz, 15 or 20 amp circuit
Shipping Weight	119 lb (54 kg)

Dimensions in parentheses are in centimeters unless otherwise noted.

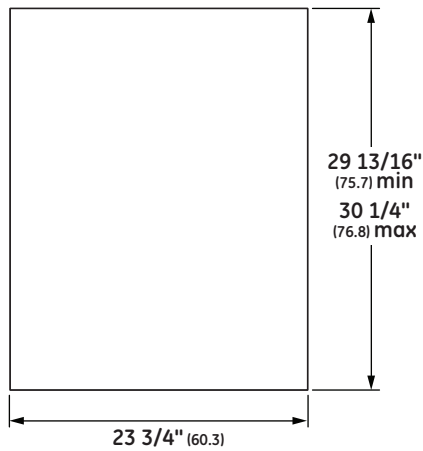
ELEVATE EVERYTHING™



INSTALLATION



CUSTOM PANEL



D

NOTES

- A The dishwasher drain hose must be no more than 12 feet in length for proper drainage.
- B Electrical connections are at the right front of the dishwasher and water connections are on the left. The hot water line should extend forward 30" to 40" from the rear wall. The electrical must extend forward at least 24" to reach the junction box.
- C To prevent siphoning, an air gap or high drain loop must be used.
- D A custom panel installation template (Part No. WD35X25996) is available from GE Parts and Accessories (US 800.626.2002, Canada 800.561.3344).

CUSTOM DISHWASHER DOOR PANEL TEMPLATE  
GE PART NO. WD35X25996

SPECIAL NOTES

The custom panel and custom handle of your choice should be secured to the dishwasher before installation begins. A template with instructions and installation hardware is provided.

For planning purposes, you may order the template in advance by calling 1.800.GE.CARES (1.800.423.2737) or by visiting our website at [GEAppliances.com](http://GEAppliances.com) in the United States.

In Canada, call 1.800.561.3344 or visit [www.GEAppliances.ca](http://www.GEAppliances.ca). Order Part No. WD35X25996.

Complete panel installation instructions are included on the template.

Maximum panel weight is 20 LBS (9.1 kg).

Trim Around Dotted Line

**3/4" Thick Custom Panel**  
Template Instructions for  
Top Control Integrated Monogram  
Dishwasher Models

The custom panel should be sized to your installation situation. See Step 1. It is highly recommended that the custom panel be attached before installing the dishwasher. Use this template to locate mounting screws and spacers on the custom panel.

**IMPORTANT**

- A custom handle must be installed onto the custom panel. Install the custom handle 4-1/2" max. from the top of the panel.

**PARTS INCLUDED:**

- (4) Spacers
- (2) #8 x 5/8" Phillips truss head stainless steel screws
- (4) #8 x 7/8" Phillips truss head stainless steel wood screws
- (2) Heavy duty springs

**STEP 1 CUSTOM PANEL SIZE REQUIREMENTS**

**HEIGHT**  
Panel height must be between 29-13/16" and 30-1/4".

**WIDTH**  
Panel width must be 23-3/4".

- If the panel height is more than 30-1/4" it will prevent the door from fitting under the cabinet.
- If the panel height is less than 29-13/16" it will not cover the dishwasher door frame.

**IMPORTANT:** To ensure optimum door balance performance, the custom panel must not weigh more than 20 lbs.

**STEP 2 DRAW CENTERLINE**

- Place the custom panel on a flat surface with appearance side down.
- Locate the vertical center of the panel at the top.
- Use a carpenter's square to draw a centerline from top to bottom.

**STEP 4 INSTALL ASSEMBLED PANEL - (CONTINUED)**

Due to location of screw holes and very limited space it will be very helpful to attach screws to the driving bit with tape to keep the screw from falling off inside the door while inserting down inside. Read and follow the steps below.

- Insert one of the spacers.
- Insert a minimum 2" long bit into head and wrap tape around end of bit. (#1 square drive preferred)
- Use a bit extension with a max 3/8" diameter shank and a minimum 2-3/4" length.

**CAUTION** It is extremely important that the 2 screws are driven into the wood panel through the metal door assembly. The locks the vertical motion of the custom panel and if not secured the panel can come off the unit during door opening/closing causing personal injury and damage to the panel.

4. Carefully open the door because door will likely be unbalanced.

Start insertion of driver at approximately 45° angle to clear the screw head past the hinge components, once the screw head is clear, rock the driver forward to a vertical position. Proceed to drive the screw. Repeat procedure for the opposite side.

**DOOR SPRINGS**

If the panel being used, additional springs may be needed to balance the door during spring is being attached to the cable, the spring hook should be installed into the middle hole then end of the spring should be hooked over the lowest screw on the rear tub bracket as shown below:

The bottom spring end should be hooked over the lowest screw on the rear tub bracket. The top spring hooks into the first available hole above the screw in the same rear tub bracket. See illustrations below.

The following table may be used as a guideline regarding which springs to use, depending on the weight of panel being added. However, spring combinations may be adjusted based on personal preferences regarding door feel.

**Note:** For combinations requiring two different strength springs, the side used is unimportant and the table headings below are for reference only. For example, a panel weighing 8 lbs would require two (2) gray springs and one (1) blue spring. The gray springs may be installed on the left side and the blue spring on the right side, or the two gray springs may be installed on the right side and the blue spring on the left.

Panel Weight (lbs)	Left Side Springs	Right Side Springs	Spring Strength
0-5	Black	Blue	Gray Light Duty
5-10	Gray x 2	Blue	Blue Medium Duty
10-15	Blue x 2	Black	Black Heavy Duty
15-20	Blue x 2	Black x 2	

**STEP 5 INSTALL CUSTOM HANDLE**

A custom handle must be installed onto the panel before the panel is secured to the dishwasher door.

- The handle should be installed so that it aligns with adjacent drawer handles, or 4-1/2" max. from the top of the panel. Secure the handle in the same manner as cabinet handles. Screws must be countersunk into the panel.

**STEP 6 INSTALL ASSEMBLED PANEL**

- Secure the panel to the door by inserting the top and bottom spacers into the matching keyhole slots.
- Make sure all 4 spacers engage the keyhole slots.
- Press the panel against the door and push downward until the spacers are fully engaged into the keyhole slots. The panel should align evenly with the top and sides.

Trim Around Dotted Line

Align with this bottom edge only.

Pub no. 31-4000217  
08-19 GEA

FOR REFERENCE ONLY  
-  
NOT TO SCALE

CALL 1-800-626-2000

For a full-size panel template with complete panel installation instructions.

ELEVATE EVERYTHING™

**MONOGRAM**

Product Specification Created 8/19

## FEATURES AND BENEFITS

**ADVANCED WASH SYSTEM**

Designed to achieve the ultimate clean, this advanced wash system with over 90 powerful jets delivers complete washing coverage to every corner of the dishwasher

**THIRD RACK**

Convenient and adjustable, this expansive third rack easily accommodates an entire flatware collection, plus carving knives, soup ladles and other cooking/ serving tools for the ultimate clean

**42 DBA\* QUIET OPERATION**

Is made possible by advanced sound-absorbing materials and a smooth-running motor

**HARD FOOD DISPOSER**

Designed to maintain a kitchen's cleanliness and efficiency, the hard food disposer with stainless steel blades grinds food into tiny particles that wash away with ease

**DEEP CLEAN SILVERWARE JETS**

Powerful jets blast away stuck-on food for silverware that's always spotless

**BOTTLE JETS**

Hard-to-reach areas inside tall items get completely clean with four dedicated jets integrated into the upper rack that shower water deep inside for the ultimate clean

**LED LIGHTING**

Illuminates the entire interior, leaving no question as to whether or not dishes have been cleaned

**MAX DRY**

This precise and efficient drying system delivers beautifully dry dishes every time and is perfect for hard-to-dry items like your favorite champagne flutes

**CABINET DEPTH INSTALLATION**

Customize this appearance with a panel to match the décor of your kitchen - true flush capable, even with inset cabinets



Residential

\*Based on results from the base model ZDT925SSNSS.

ELEVATE EVERYTHING

MONOGRAM