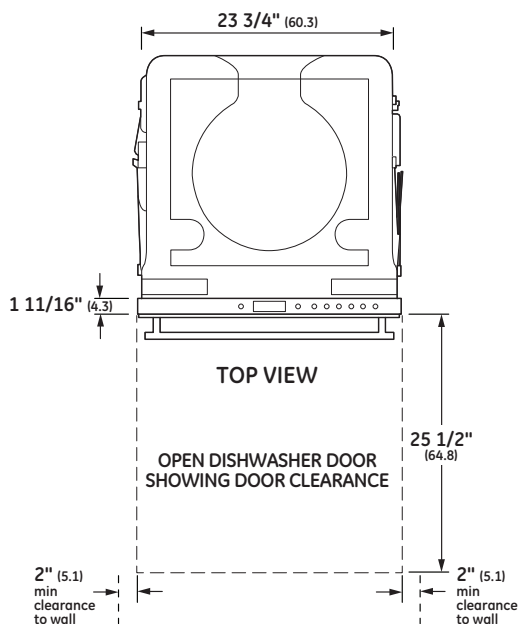
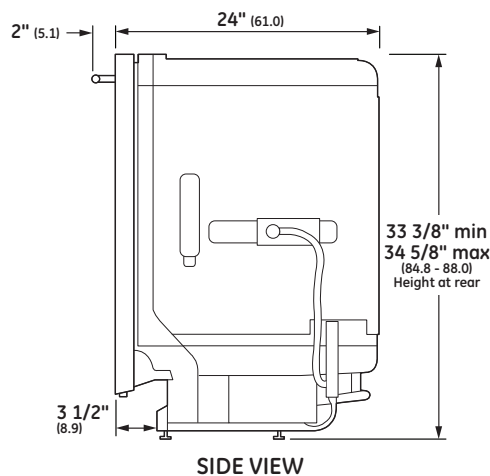
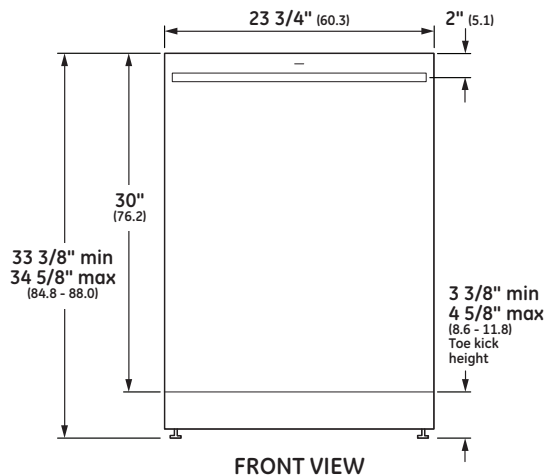




OVERALL DIMENSIONS



SPECIFICATIONS

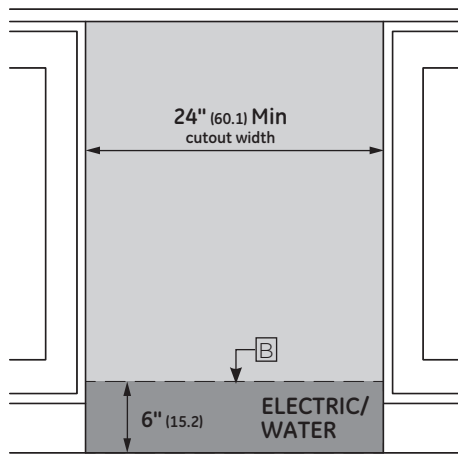
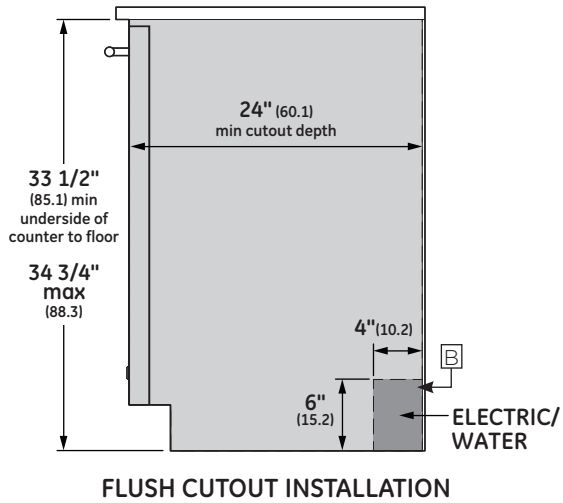
Overall Width	23 3/4" (60.3 cm)
Overall Height	33 3/8" (84.8 cm) Min 34 5/8" (88.0 cm) Max
Overall Depth	24" (61 cm)
Door Clearance	25 1/2" (64.8 cm)
Overall Dishwasher Capacity	16 Place Settings
Minimum Cabinet Width	24" (61 cm)
Minimum Cabinet Depth	24" (61 cm)
Cutout Width	24" (61 cm)
Cutout Height	33 1/2" (85.1 cm) Min 34 3/4" (88.3 cm) Max
Electrical Requirements	10.2 A
Hose Length	No more than 12' (3.7 m)
Voltz/Hertz/Amps	115 V, 60 Hz, 15 or 20 amp circuit
Shipping Weight	139 lb (63 kg)

Dimensions in parentheses are in centimeters unless otherwise noted.

ELEVATE EVERYTHING™



INSTALLATION



NOTES

- Ⓐ The dishwasher drain hose must be no more than 12 feet in length for proper drainage.
- Ⓑ Electrical connections are at the right front of the dishwasher and water connections are on the left. The hot water line should extend forward 30" to 40" from the rear wall. The electrical must extend forward at least 24" to reach the junction box.
- Ⓒ To prevent siphoning, an air gap or high drain loop must be used.

FEATURES AND BENEFITS

THE MONOGRAM MINIMALIST COLLECTION
Streamlined design and precisely machined metals create a contemporary yet functional aesthetic

ADVANCED WASH SYSTEM
Designed to achieve the ultimate clean, this advanced wash system with over 90 powerful jets delivers complete washing coverage to every corner of the dishwasher

THIRD RACK
Convenient and adjustable, this expansive third rack easily accommodates an entire flatware collection, plus carving knives, soup ladles and other cooking/ serving tools for the ultimate clean

42 DBA WITH LED STATUS INDICATOR ON DOOR
A dishwasher this quiet has a status indicator to tell you if the dishwasher is Washing, Drying or Clean

HARD FOOD DISPOSER
Designed to maintain a kitchen's cleanliness and efficiency, the hard food disposer with stainless steel blades grinds food into tiny particles that wash away with ease

DEEP CLEAN SILVERWARE JETS
Powerful jets blast away stuck-on food for silverware that's always spotless

BOTTLE JETS
Hard-to-reach areas inside tall items get completely clean with four dedicated jets integrated into the upper rack that shower water deep inside for the ultimate clean

LED LIGHTING
Illuminates the entire interior, leaving no question as to whether or not dishes have been cleaned

MAX DRY SYSTEM
This precise and efficient drying system delivers beautifully dry dishes every time and is perfect for hard-to-dry items like your favorite champagne flutes

FLUSH INSTALLATION CAPABILITY
Enables the dishwasher to be installed flush, even with inset cabinetry, without any additional parts



Subject to change



Residential

ELEVATE EVERYTHING

MONOGRAM