

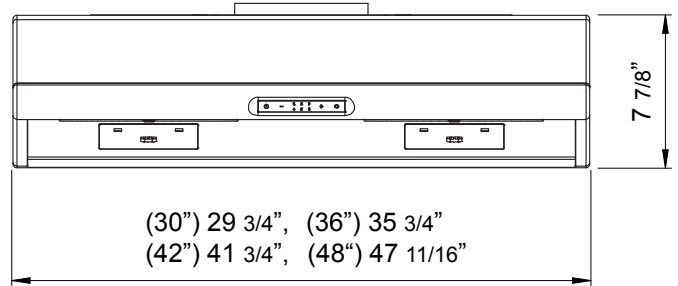
One of our founding models, now with an updated look, we crafted a smooth curvature then upped the volume with powerful, virtually noise-free 850-CFM blowers. A convenient self-cleaning system along with dimmable halogen

lights invite you and your guests to a warm respite from the everyday. Available in black, white and stainless steel. Now with Quiet Speed Setting (QSS) and ACT™ technology.

ACT™

| Min. - Max. CFM   | INTERNAL BLOWER STANDARD | INTERNAL BLOWER with ACT™ AIRFLOW CONTROL TECHNOLOGY™* |           |
|-------------------|--------------------------|--|-----------|
|                   | 250 - 850                | 250 - 390  | 250 - 290 |
| Min. - Max. Sones | 0.9 - 5                  | 0.9 - 2.5  | 0.9 - 1.5 |

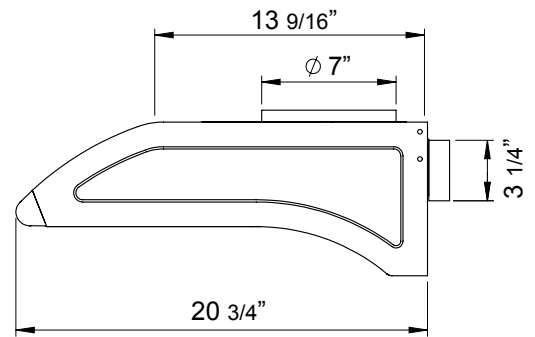
\*AIRFLOW CONTROL TECHNOLOGY™ (ACT™) is an exclusive feature built into specific Zephyr hoods which can limit the maximum blower CFM to meet local code requirements.



Front



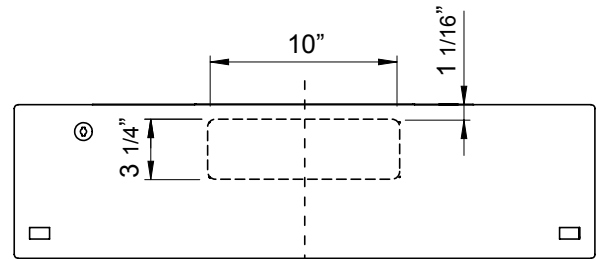
Stainless Steel



Side



Black



C/L

Back



White

| MODEL                              | AK2100BB                     | AK2136BB                 |                          |                          |
|------------------------------------|------------------------------|--------------------------|--------------------------|--------------------------|
| Black                              | AK2100BB                     | AK2136BW                 |                          |                          |
| White                              | AK2100BW                     | AK2136BS                 |                          |                          |
| Stainless Steel                    | AK2100BS                     | AK2136BS                 | AK2142BS                 | AK2148BS                 |
| <b>Size</b>                        | 30" (29-3/4")                | 36" (35-3/4")            | 42" (41-3/4")            | 48" (47-11/16")          |
| <b>Blower CFM (Min. - Max.)</b>    | 250 - 850                    | 250 - 850                | 250 - 850                | 250 - 850                |
| <b>Sones (Min. - Max.)</b>         | 0.9 - 5                      | 0.9 - 5                  | 0.9 - 5                  | 0.9 - 5                  |
| <b>ACT 390 CFM (Min. - Max.)</b>   | 250 - 390                    | 250 - 390                | 250 - 390                | 250 - 390                |
| <b>ACT 390 Sones (Min. - Max.)</b> | 0.9 - 2.5                    | 0.9 - 2.5                | 0.9 - 2.5                | 0.9 - 2.5                |
| <b>ACT 290 CFM (Min. - Max.)</b>   | 250 - 290                    | 250 - 290                | 250 - 290                | 250 - 290                |
| <b>ACT 290 Sones (Min. - Max.)</b> | 0.9 - 1.5                    | 0.9 - 1.5                | 0.9 - 1.5                | 0.9 - 1.5                |
| <b>FEATURES</b>                    |                              |                          |                          |                          |
| <b>ACT™ Technology</b>             | Yes                          | Yes                      | Yes                      | Yes                      |
| <b>Controls</b>                    | Capacitive Touch             | Capacitive Touch         | Capacitive Touch         | Capacitive Touch         |
| <b>Speed Levels</b>                | 6*                           | 6*                       | 6*                       | 6*                       |
| <b>Quiet Speed Setting (QSS)</b>   | Yes                          | Yes                      | Yes                      | Yes                      |
| <b>Auto Delay-Off</b>              | Yes                          | Yes                      | Yes                      | Yes                      |
| <b>Lighting</b>                    | Halogen, 35W x2              | Halogen, 35W x2          | Halogen, 35W x2          | Halogen, 35W x2          |
| <b>Dual-Level Lighting</b>         | Yes                          | Yes                      | Yes                      | Yes                      |
| <b>Removable Safety Grilles</b>    | 2                            | 2                        | 2                        | 2                        |
| <b>Recirculating Option</b>        | No                           | No                       | No                       | No                       |
| <b>Self Cleaning</b>               | Yes                          | Yes                      | Yes                      | Yes                      |
| <b>DUCT SPECIFICATIONS</b>         |                              |                          |                          |                          |
| <b>Vertical Internal Blower</b>    | 7" Round or 3-1/4" x 10"     | 7" Round or 3-1/4" x 10" | 7" Round or 3-1/4" x 10" | 7" Round or 3-1/4" x 10" |
| <b>Horizontal Internal Blower</b>  | 3-1/4" x 10"                 | 3-1/4" x 10"             | 3-1/4" x 10"             | 3-1/4" x 10"             |
| <b>AC POWER</b>                    | 120V, 60Hz at Max. 3A        | 120V, 60Hz at Max. 3A    | 120V, 60Hz at Max. 3A    | 120V, 60Hz at Max. 3A    |
| <b>OPTIONAL ACCESSORIES</b>        |                              |                          |                          |                          |
| <b>Make-Up Air Kit</b>             | MUA008A                      | MUA008A                  | MUA008A                  | MUA008A                  |
| <b>MOUNTING HEIGHT RANGE**</b>     | 24" - 32"                    | 24" - 32"                | 24" - 32"                | 24" - 32"                |
| <b>WARRANTY</b>                    | 10 years parts, 1 year labor |                          |                          |                          |

\*When ACT is enabled the maximum speed levels will change. ACT 390 CFM = 3 speeds and ACT 290 CFM = 2 speeds.

\*\*Mounting height refers to distance between top of a 36" tall cooking surface and bottom of hood.

**ACT™** AIRFLOW CONTROL TECHNOLOGY™ (ACT™) is an exclusive feature built into specific Zephyr hoods which can limit the maximum blower CFM to meet local code requirements.

Specifications subject to change, check zephyronline.com for up-to-date information.  
Zephyr Ventilation | 2277 Harbor Bay Parkway, Alameda, CA 94502 | 888.880.VENT

AUG15.0201

