

FISHER & PAYKEL

GAS COOKTOP


CG365DW models

INSTALLATION GUIDE

US CA

590686 D 08.17

① SAFETY AND WARNINGS

⚠ WARNING!	
	Electrical Shock Hazard Disconnect product from the mains power supply before servicing. This appliance is equipped with a three-prong grounding plug for your protection against shock hazard and should be plugged directly into a properly grounded power outlet. Do not under any circumstances cut or remove the grounding prong from this plug. Failure to follow this advice may result in electrical shock or death.

⚠ WARNING!	
	Cut Hazard Take care - panel edges are sharp. Failure to use caution could result in injury or cuts.

IMPORTANT SAFETY INSTRUCTIONS

- This appliance shall be installed in accordance with the installation requirements of the local gas authority or the appropriate installation code or in the absence of local codes with the latest National Fuel Gas Code NFPA 54/ANSI Z223.1 or CAN/CSA B149.1,2 (Canada). Local building and electrical codes must be adhered to.
- Electrical installation must be in accordance with the National Electrical Code, ANSI/NFPA70 - latest edition or CSA C22.1 (Canada) and/or local codes.
- Installation in manufactured (mobile) home: installation must conform with the Manufactured Home Construction and Safety Standard, Title 24 CFR, Part 3280 [formerly the Federal Standard for Mobile Home Construction and Safety, Title 24, HUD (Part 280)] or, when such standard is not applicable, the Standard for Manufactured Home Installations, ANSI/NFPA 225, or with local codes where applicable.
- Installation in Recreational Park Trailers: installation must conform with state or other codes or, in the absence of such codes, with the Standard for Recreational Park Trailers, ANSI A119.5.
- Do not remove permanently affixed labels, warnings, or plates from the product. This may void the warranty.
- Flexible appliance connectors shall meet the requirements of ANSI Z21.24 and State Boards. They shall not exceed 35 1/2 inches (900 mm) in length. In order to avoid hazard, these appliances must be installed according to these instructions.
- This appliance must be installed by an authorized person (Warning: this appliance must be installed by a licensed plumber or gas fitter when within the Commonwealth of Massachusetts).

- Please make this information available to the person installing the appliance as it could reduce your installation costs.
- Please leave these instructions with the appliance. Inform the customer to retain for future reference and for the local inspectors' use.
- Failure to install the appliance correctly could invalidate any warranty or liability claims.
- Leak testing of the appliance shall be conducted according to the manufacturer's instructions.
Only genuine replacement parts may be used for servicing the appliance. These are available from your nearest Fisher & Paykel Service Center.

Before you install the appliance, please make sure that

- the local distribution conditions (nature of gas and pressure) and the adjustment of the appliance are compatible. For adjustment conditions for this appliance, see 'Gas rate summary' under step 3.
- a suitable isolating switch is incorporated in the fixed wiring in an acceptable position.
- the appliance is connected to a power outlet that is electrically grounded in accordance with local codes or in the absence of local codes, with the National Electric Code ANSI/NFPA 70 or CSA C22.2 (Canada).
- there is a power outlet (110-120V 60Hz) within reach of the appliance cable (35 1/2" (900 mm) from the center rear of the appliance). This must be accessible after installation. The mains power supply cable should not touch any metal parts.
- the countertop is square and level and no structural members interfere with space requirements
- the countertop is made of heat-resistant material.
- you take note of the following recommended non-combustible materials: 1/4" (6 mm) flame retardant millboard covered with not less than No. 28 MSG sheet steel, 1/32" (0.4 mm) stainless steel,
- 1/32" (0.6 mm) aluminum or 1/32" (0.5 mm) copper.
- the gas shut-off valve is accessible after installation.
- if the power supply cable is damaged, it is replaced only by the special cable: Part no. 534901 Trml Block-flex Assy CG901 NZ US, obtainable from authorized Fisher & Paykel Service Agents.
- NOTE:

As servicing requires removing of the cooktop from the countertop we do not recommend flush mounting. To the fullest extent permissible by law, the owner carries all risk for flush mounting of the cooktop. The owner must ensure the cooktop has been cut out from the benchtop before servicing can be carried out. Fisher & Paykel will not be liable for any costs associated with removing or replacing a flush-mounted and/or sealed-in product, nor for repairing any damage that may be incurred by doing this. Fisher & Paykel does not exclude any statutory liability it may have and which by law cannot be excluded, because of the giving of this notice.

IMPORTANT! SAVE THESE INSTRUCTIONS

The models shown in this installation guide may not be available in all markets and are subject to change at any time. For current details about model and specification availability in your country, please go to our website www.fisherpaykel.com or contact your local Fisher & Paykel dealer.

② PARTS SUPPLIED



Wok stand (1)



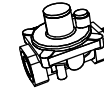
Small pan support (1)



Nipple 1/2 " NPT thread (1)

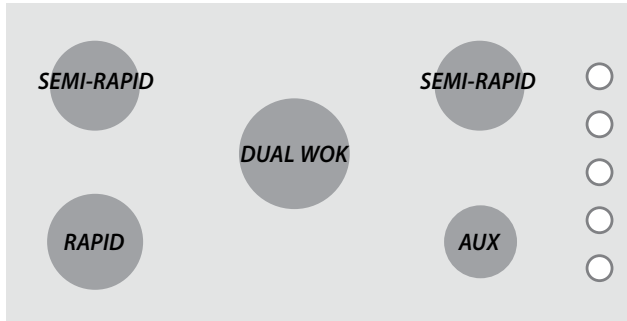


Clamping brackets (6) and screws (6)



Regulator (1)

③ GAS RATE SUMMARY



CG365DW

High Altitude Installations

For installations above 3000' conversion kits are required:

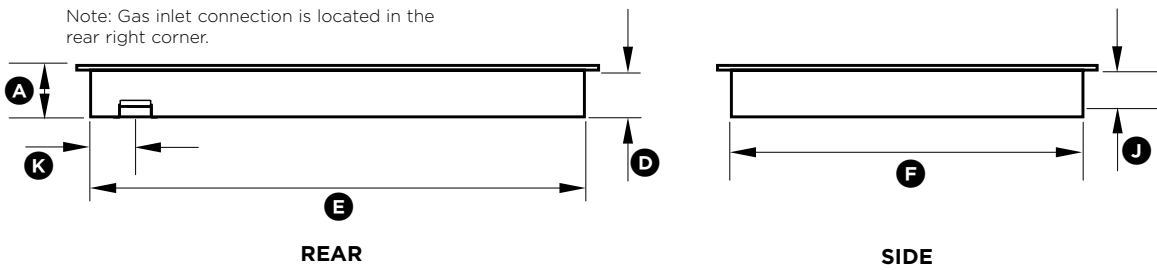
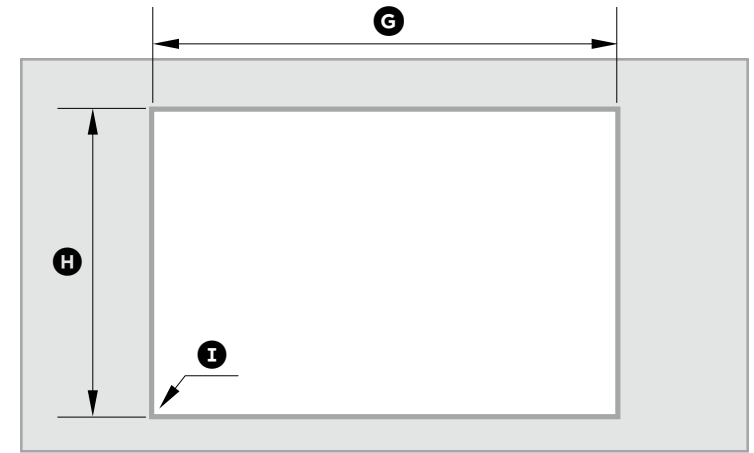
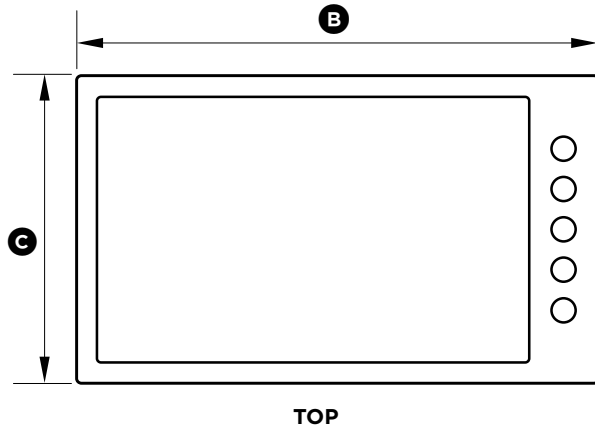
3,000-6,000' 535315 KIT HI ALT LP 3-6K CG365 FLUSH
 535317 KIT HI ALT NG 3-6K CG365 FLUSH

6000'+ 535316 KIT HI ALT LP 6-9K CG365 FLUSH
 535318 KIT HI ALT NG 6-9K CG365 FLUSH

Contact your authorized dealer, customer care or refer to the website listed at the back of this document.

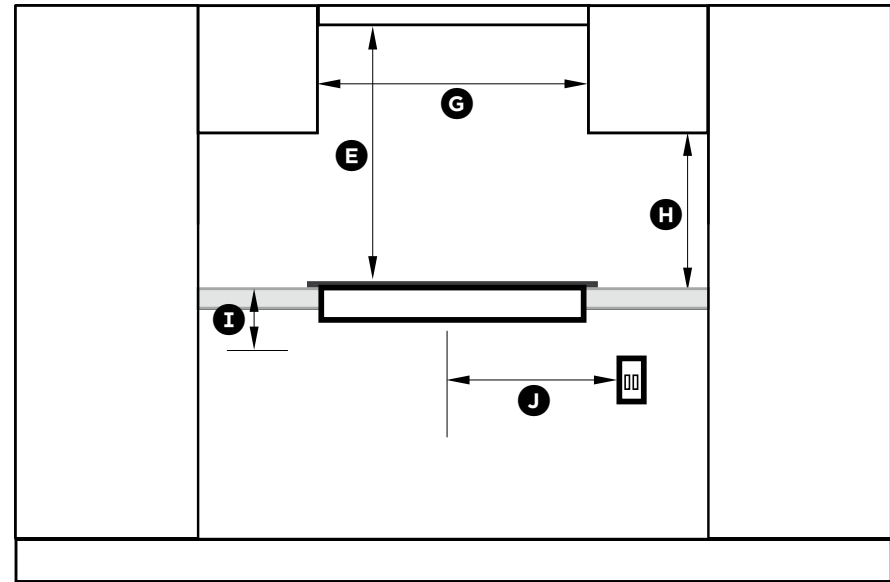
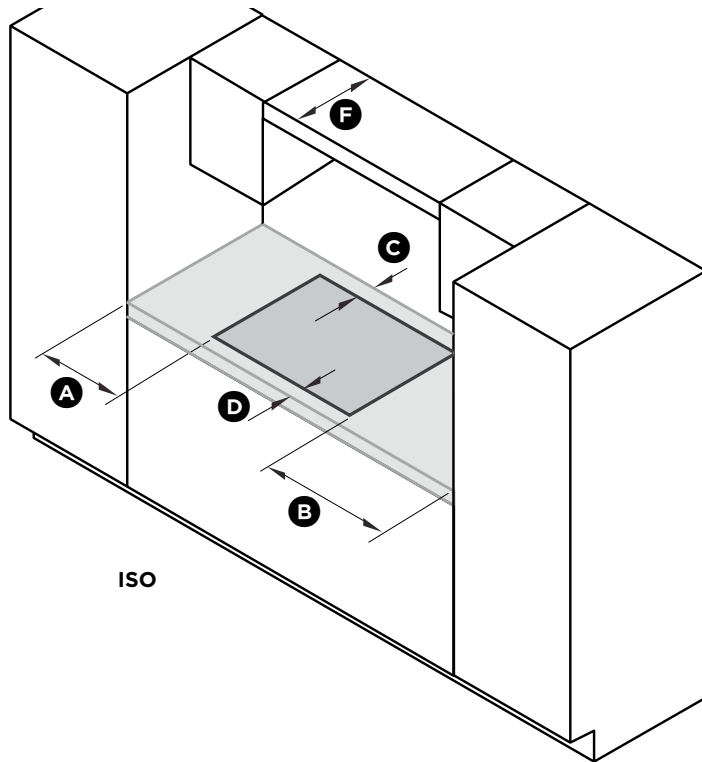
US CA	INJECTOR ORIFICE (MM)		NOMINAL RATING (BTU/HR)		INJECTOR ORIFICE (MM)		NOMINAL RATING (BTU/HR)		INJECTOR ORIFICE (MM)		NOMINAL RATING (BTU/HR)		INJECTOR ORIFICE (MM)		NOMINAL RATING (BTU/HR)	
	AUX				SEMI-RAPID				RAPID				DUAL WOK			
	NG		LP		NG		LP		NG		LP		NG		LP	
CG365DW	0.9	3800	0.55	3500	1.35	8500	0.8	7600	1.45	9500	0.87	9000	1.45	18500	0.80	18000
													0.70		0.50	

④ **PRODUCT & CABINETRY DIMENSIONS**



PRODUCT DIMENSIONS	inches (mm)
(A) Overall height of product (excluding burners, dials and pan supports)	3 1/8" (80)
(B) Overall width of product	35 1/2" (900)
(C) Overall depth of product	20 7/8" (530)
(D) Height of chassis (below top of counter)	3 1/16" (77)
(E) Width of chassis	33 13/16" (859)
(F) Depth of chassis	19 3/16" (487)
(G) Overall width of cutout	34 1/4" (870)
(H) Overall depth of cutout	19 7/16" (494)
(I) Corner radius of cutout	max. 3/8" (10)
(J) Distance from top of counter to center of gas inlet on product	2 15/16" (74)
(K) Distance from edge of chassis to gas inlet on product	7/8" (22)

5 CLEARANCE DIMENSIONS



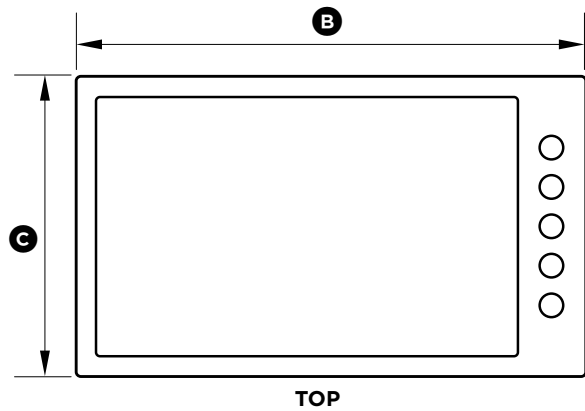
FRONT

CLEARANCE DIMENSIONS

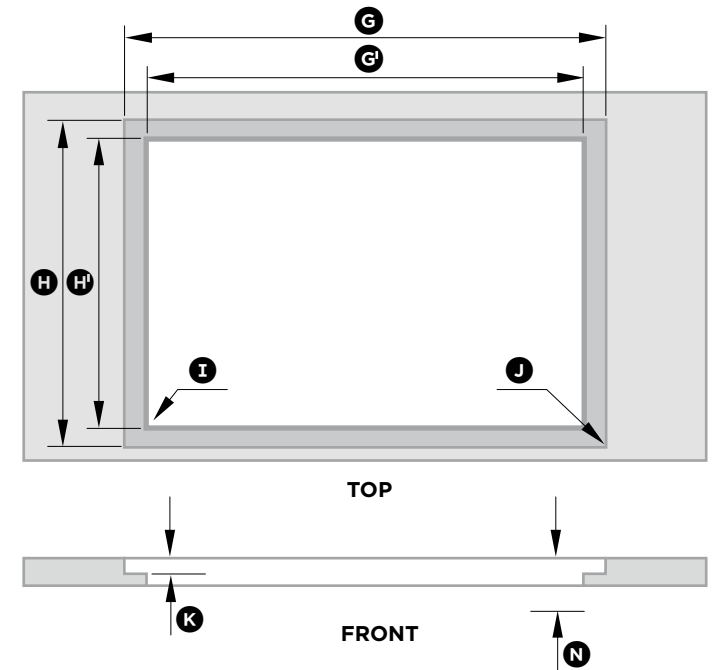
	inches (mm)
(A) Minimum clearance from left edge of product to nearest vertical surface	3 1/2" (90)
(B) Minimum clearance from right edge of product to nearest vertical surface	1" (25)
(C) Minimum clearance from rear edge of product to: nearest combustable surface nearest non-combustible surface*	5 1/2" (140) less than 1 1/4" (32)
(D) Minimum clearance from front edge of counter to front edge of product	1 1/4" (32)
(E) Minimum clearance from cooking surface to combustable surface centered above the cooking surface	34" (860)
(F) Maximum overall depth of overhead cabinetry	13" (330)
(G) Minimum distance between overhead cabinets installed to either side of productt	36" (915)
(H) Minimum vertical distance between counter and cabinet extending above the counter	18" (457)
(I) Minimum clearance below top of countertop to: nearest combustable surface F&P oven or nearest non-combustible surface	3 5/16" (84) 3 5/16" (84)
(J) Maximum distance from the center of the product to the nearest grounded power outlet. The power supply cable must not touch any hot metal surfaces.	30" (762)

* Recommended non-combustible materials are: 1/4" (6 mm) flame retardant millboard covered with not less than No. 28 MSG sheet steel, 0.015" (0.4 mm) stainless steel, 0.024" (0.6 mm) aluminum or 0.020" (0.5 mm) copper.

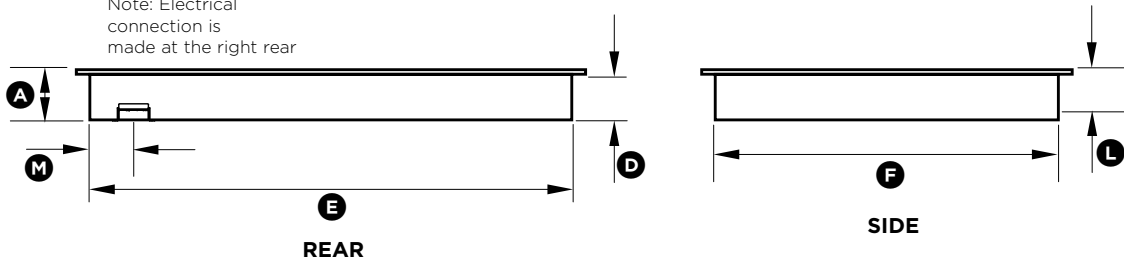
5 FLUSH MOUNTING INSTALLATION (OPTIONAL)



IMPORTANT!
Refer to the NOTE in 'Before you install the appliance' in the Safety and Warnings section before you flush mount this appliance.



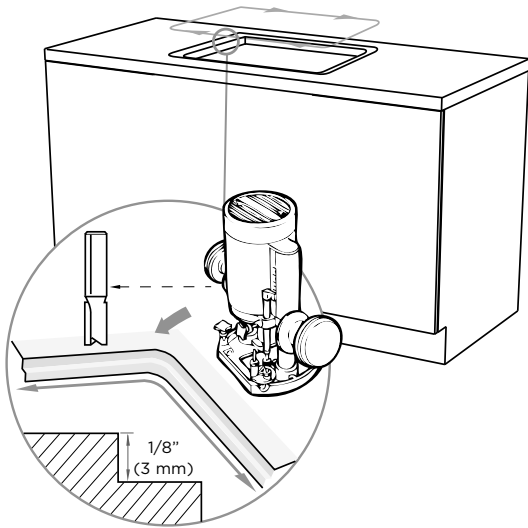
Note: Electrical connection is made at the right rear



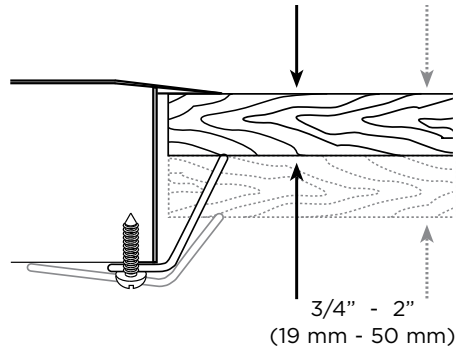
PRODUCT AND CABINERY DIMENSIONS		inches (mm)
(A)	Overall height of product (excluding burners, dials and pan supports)	3 1/8" (80)
(B)	Overall width of product	35 1/2" (900)
(C)	Overall depth of product	20 7/8" (530)
(D)	Height of chassis (below top of counter)	3 1/16" (77)
(E)	Width of chassis	33 13/16" (859)
(F)	Depth of chassis	19 3/16" (487)
(G)	Overall width of routed recess	35 5/8" (905)
(G')	Width of cutout	34 1/4" (870)
(H)	Overall depth of routed recess	21 1/16" (535)
(H')	Depth of cutout	19 7/16" (494)
(I)	Corner radius of cutout	max. 3/8" (10)
(J)	Corner radius of routed recess	max. 3/16" (5)
(K)	Height of routed recess	1/8" (3)
(L)	Distance from top of counter to center of gas inlet on product	2 13/16" (71)
(M)	Distance from edge of chassis to gas inlet on product	7/8" (22)
(N)	Minimum clearance below top of benchtop to: rear top of oven* installed below cooktop or cabinetry thermal protection barrier	3 1/2" (89) 3 1/2" (89)

⑤ FLUSH MOUNTING INSTALLATION (OPTIONAL)

① ROUTER THE COUNTERTOP TO THE SPECIFIED DEPTH

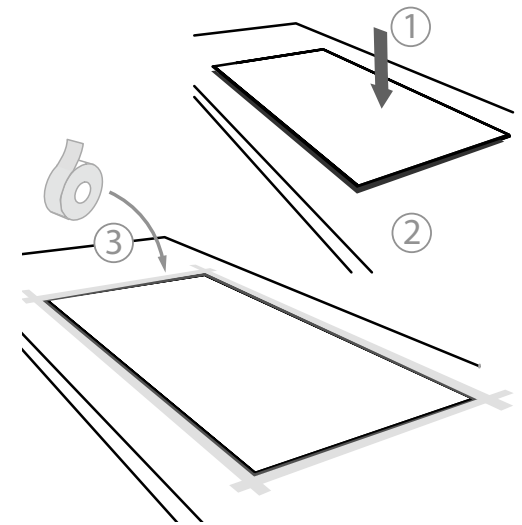


② FIT THE CLAMPING BRACKETS

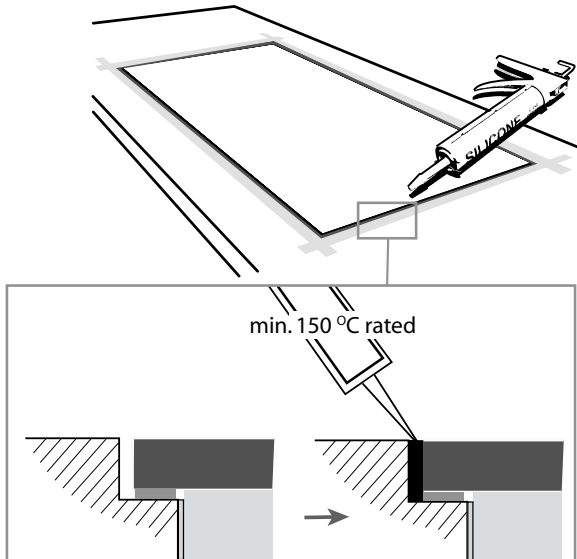


REPEAT ON ALL THE OTHER SIDES
(Total 6 brackets)

③ MASK OFF THE AREA TO BE SILICONED

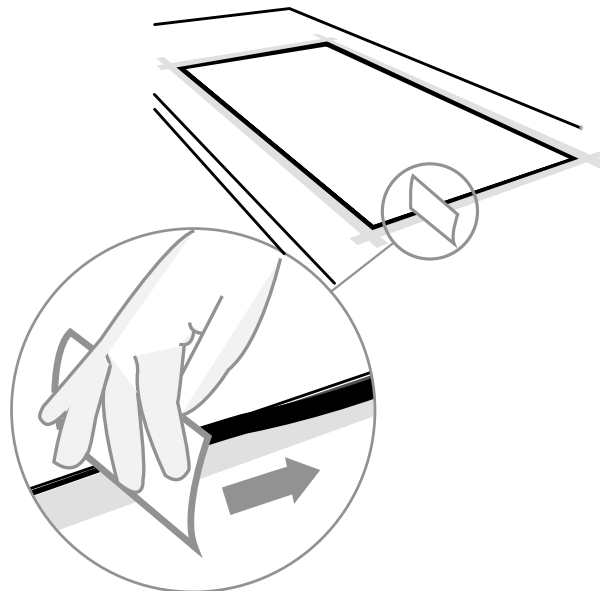


④ APPLY SILICONE

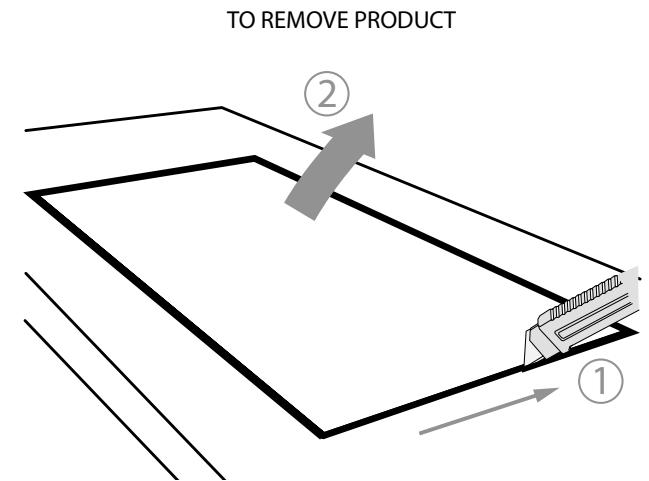


Ensure silicone does not leak underneath the steel edge.

⑤ WIPE OFF EXCESS SILICONE

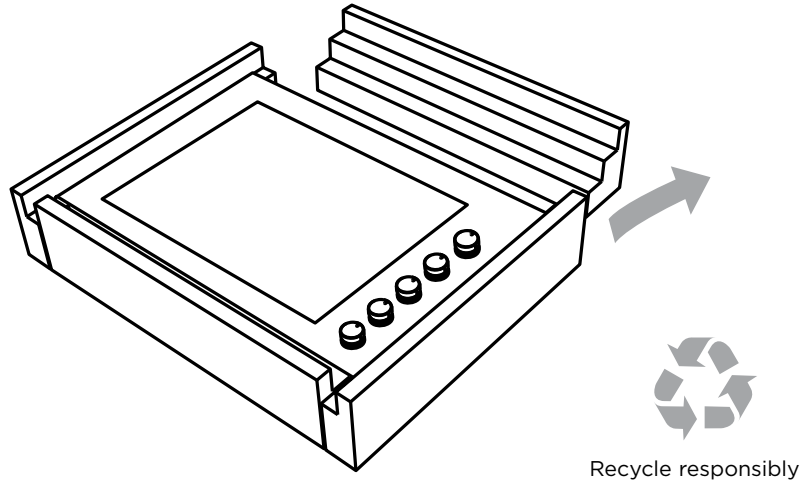


⑥ IF REMOVING PRODUCT, CUT AROUND THE SILICONE

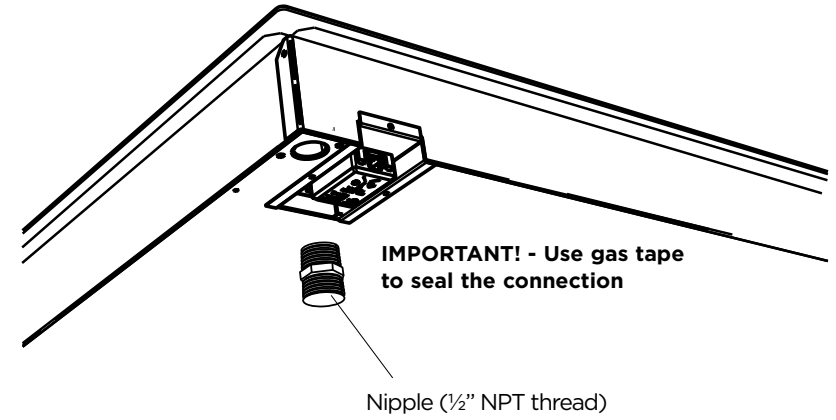


⑥ DISCARD PACKAGING

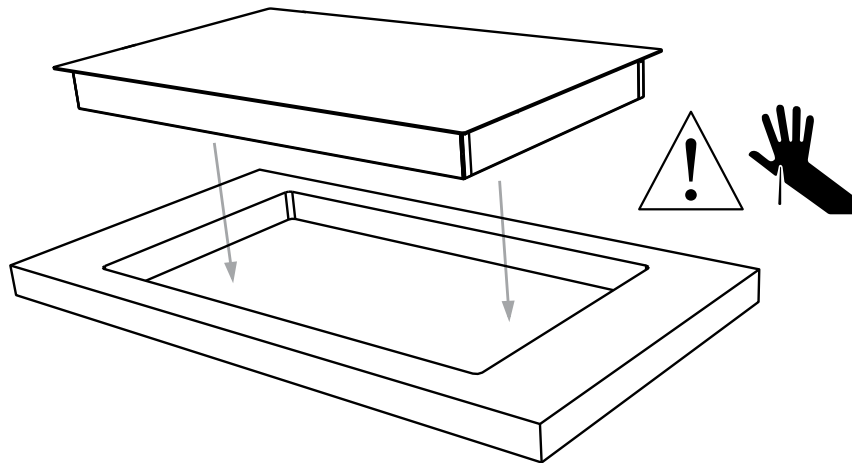
Model may vary from illustrations shown



⑦ FIT THE NIPPLE AND WASHER



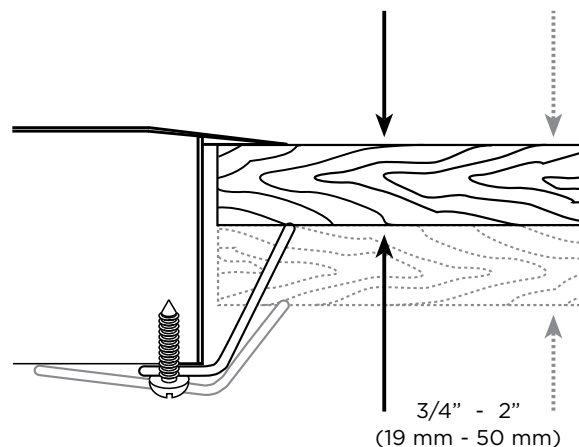
⑧ LOWER GENTLY INTO THE CUTOUT



9 SECURE TO COUNTERTOP WITH BRACKETS BASED ON THE COUNTERTOP THICKNESS

Place the cooktop into the cutout and tighten it with the supplied clamps. These will cope with the countertop thicknesses 3/4" - 2" (19 - 50 mm) when used in the two orientations shown.

IMPORTANT! - Do not over tighten.



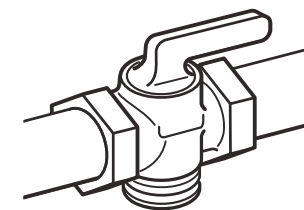
**REPEAT ON ALL THE OTHER SIDES
(Total 6 brackets)**

10 GAS CONNECTION

- Make sure the connection point will be accessible with the cooktop installed.
- To enable the gas supply to be readily shut off by the customer, make sure the connection is fitted with an isolating valve close to the cooktop.
- The appliance must be isolated from the gas supply piping system by closing its individual shut-off valve during any pressure testing of the gas supply piping system at test pressures at or less than 1/2 p.s.i. (3.5 kPa).
- Maximum inlet gas supply pressure 20" W.C. (5 kPa). Minimum gas supply pressure for regulator testing 5" W.C. Natural Gas / 12" W.C LP gas.
- A manual shut-off valve must be installed in an accessible location in the gas line external to the appliance for the purpose of turning on or shutting off gas to the appliance. (In Massachusetts, such shut-off devices should be approved by the Board of State Examiners of Plumbers & Gas Fitters).
- Gas connection to the product must use the nipple supplied with a 1/2" NPT external thread. The supplied gas pressure regulator must be installed where it will be accessible for adjustment. The metal flexible hose used must be new, CSA or UL-approved, and must have a 1/2" NPT external thread on one end and a 1/2" NPT one on the other

If connecting the gas with a flexible hose

- Ensure the hose is long enough to allow for removal of cooktop for servicing.
- Make sure the connector is located as shown in step 5 CLEARANCE DIMENSIONS.
- The hose assembly must be with an Rp 1/2" (ISO 7-1) female thread connection.
- The hose assembly must be as short as practicable and comply with the relevant requirements.
- The hose must not be kinked, subjected to abrasion or permanently deformed.
- The hose must not be near or in contact with any hot surfaces (e.g. base of metal hotplate, flue, or chassis of undercounter oven etc.)



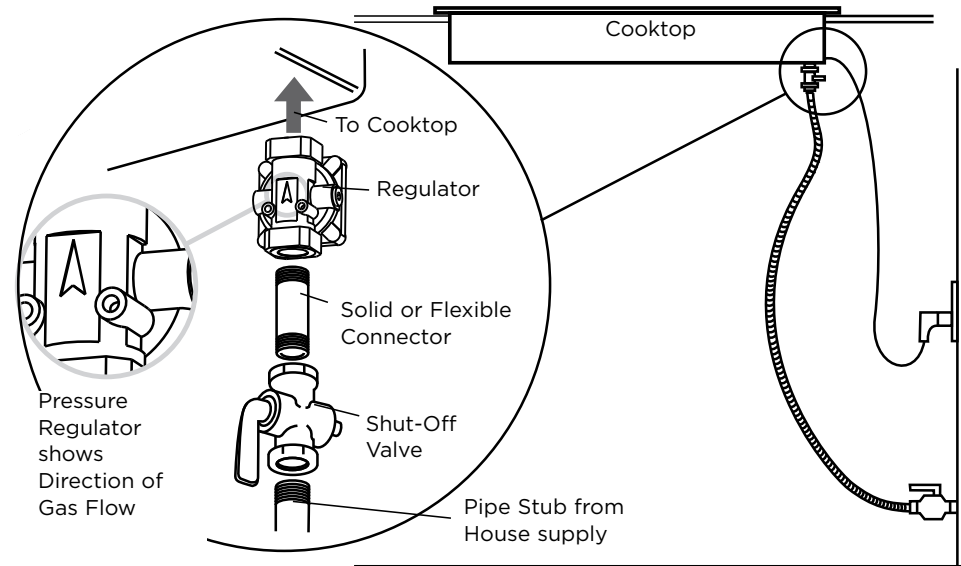
11 CONNECT TO THE GAS SUPPLY

This appliance is factory set for use with Natural Gas at 4" W.C.P. or LP Gas at 11" W.C.P. Check the label on the underside of the appliance.

Gas regulator

- For use with a gas pressure regulator as shown.

For LP models the regulator cap should be marked 'LP'.

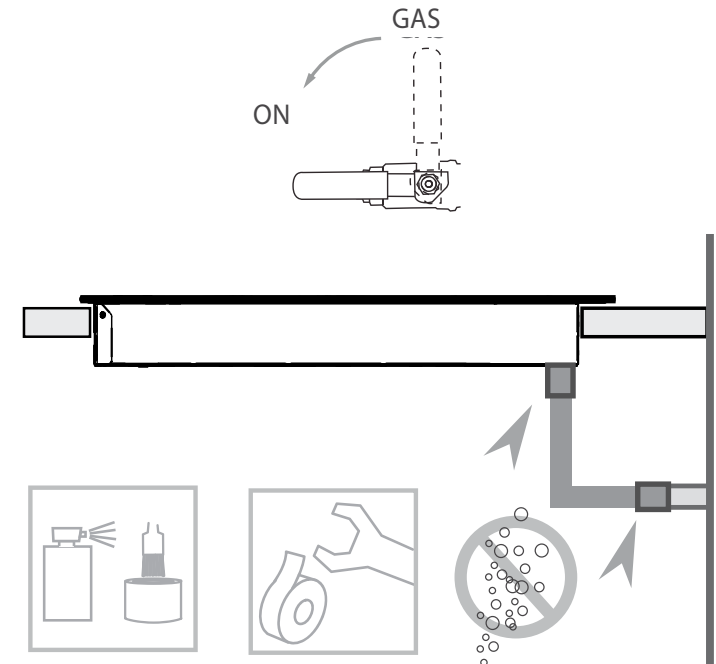


12 LEAK TESTING

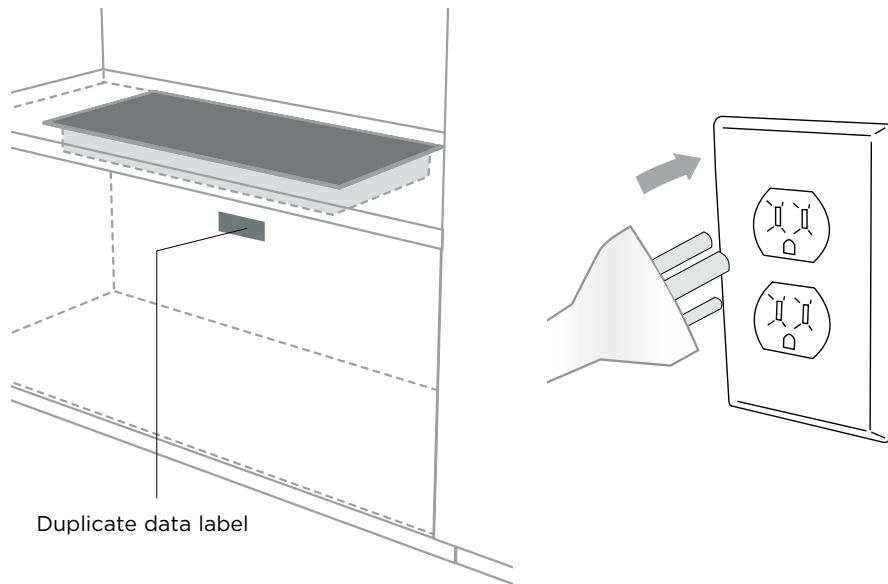
- Leak testing of the appliance shall be conducted according to the manufacturer's instructions.
- The appliance and its individual shut-off valve must be disconnected from the gas supply piping system during any pressure testing of that system in excess of 1/2 psi (3.5kPa).
- The appliance must be isolated from the gas supply piping system by closing its individual manual shut-off valve during any pressure testing of the gas supply piping system at test pressures at or less than 1/2 psi (3.5 kPa).
- Maximum inlet gas supply pressure 20" W.C. (5 kPa)
- Minimum gas supply pressure for regulator testing 5" W.C. Natural Gas, 12" W.C. LP Gas.

After installing the gas supply and making all connections, check thoroughly for possible leaks:

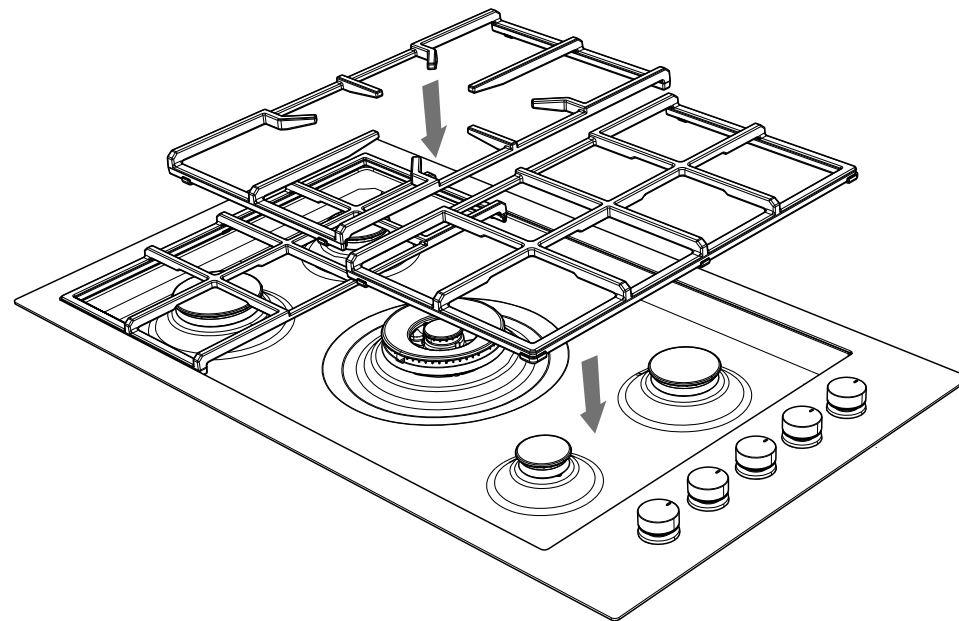
- Turn all control dials on unit to "OFF" position.
- Open the valve on the gas supply.
- Using a leak detection fluid (eg Rocol leak detection spray), check each gas connection one at a time by spraying or brushing the solution over the connection. The presence of bubbles will indicate a leak.
- If necessary, tighten the fitting and recheck for leaks.
- Turn on burner valve and light each burner.
- Check for a clear blue flame without yellow tipping. If burners show any abnormalities, check that they are located properly and in line with the injector orifice.



13 AFFIX DUPLICATE DATA LABEL SOMEWHERE ACCESSIBLE & PLUG COOKTOP IN

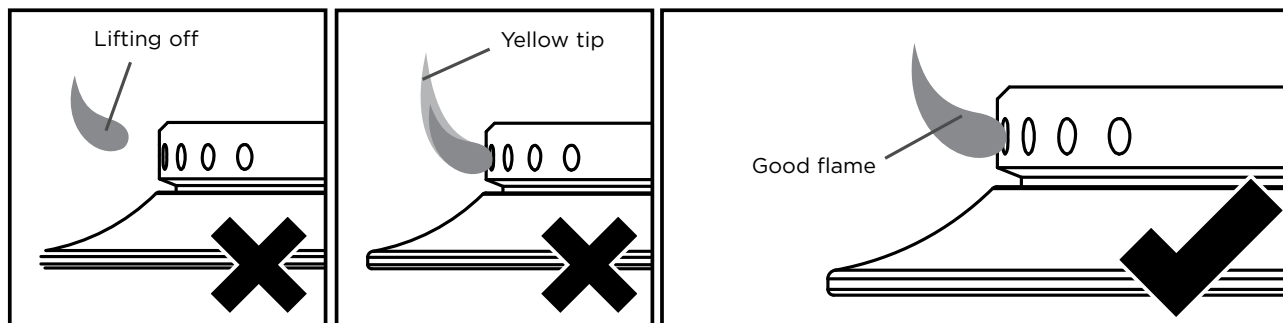


14 FIT PAN SUPPORTS



15 LEAK TESTING

- To check that the ignition system operates correctly, light each burner by itself, then all burners in combination.
- Check for a well-defined blue flame without any yellow tipping.
- If any abnormality is evident, check that the components of the burner assembly are located properly
- If proper operation cannot be obtained, contact Customer Care or your nearest F&P Authorized Service Center.
- The cooktop must not be used by the customer until proper operation has been achieved.





TO BE COMPLETED BY THE INSTALLER

- Have you installed the clamping brackets?
- Have you verified that the type of model (factory-set for NG or LP) matches the type of gas at the site of installation?
- Have you sealed all connections with gas tape?
- Have you leak-tested all connections?
- Is the cooktop set to the correct working pressure?
- Have you affixed the supplied duplicate data plate label on an adjacent surface accessible to the customer?
- Is the cooktop grounded?
- Check that the power supply cord is NOT touching the cooktop.

OPERATION:

- Do all burners ignite both individually and in combination?
- Are the flames consistent and appropriately sized?
- Have you demonstrated the basic operation to the customer?

Complete and keep for safe reference:

Model _____

Serial No. _____

Purchase Date _____

Purchaser _____

Dealer Address _____

Installer's Name _____

Installer's Signature _____

Installation Company _____

Installation Date _____

F I S H E R & P A Y K E L

S U R F A C E D E C U I S S O N A U G A Z

Modèles CG365DW

INSTRUCTIONS D'INSTALLATION

CA

590686D 08.17

⚠ MISE EN GARDE!



Risque de choc électrique
 Débranchez l'appareil de l'alimentation électrique avant d'effectuer l'entretien ou les réparations. Cet appareil est équipé d'une fiche à trois broches avec mise à la terre pour protéger des chocs électriques. Branchez-la directement dans une prise électrique avec mise à la terre adéquate. Vous ne devez en aucune circonstance couper ou retirer la broche de mise à la terre de cette fiche.
 Le non-respect de cette consigne peut entraîner un choc électrique ou la mort.

⚠ MISE EN GARDE!



Risque de coupure
 Attention, les bords du panneau sont tranchants. Des blessures ou des coupures peuvent survenir si vous ne faites pas preuve de prudence.

CONSIGNES DE SÉCURITÉ IMPORTANTES

- Cet appareil devra être installé conformément aux exigences des réglementations locales relatives au gaz ou des codes d'installation appropriés, ou en l'absence de codes locaux, de la plus récente norme NFPA 54/ANSI Z223.1 du National Fuel Gas Code ou CAN/CSA B149.1,2 (Canada). Les codes locaux du bâtiment et de l'électricité doivent être respectés.
- Toute installation électrique doit être conforme à la norme ANSI/NFPA70 de la dernière édition du Code national de l'électricité ou à la norme CSA C22.1 (Canada) et/ou aux codes locaux.
- Installation dans une maison préfabriquée (mobile) : l'installation doit être effectuée conformément à la norme Manufactured Home Construction and Safety Standard, Titre 24 CFR, Partie 3280 [anciennement Federal Standard for Mobile Home Construction and Safety, Titre 24, HUD (Partie 280)] ou, lorsqu'une telle norme est inapplicable, à la norme Standard for Manufactured Home Installations, ANSI/NFPA 225, ou aux codes locaux en vigueur.
- Installation dans une caravane de parc : l'installation doit être effectuée conformément aux codes de l'État et autres codes, ou en l'absence de tels codes, à la norme Standard for Recreational Park Trailers, ANSI A119.5.
- Ne retirez pas les étiquettes, mises en garde ou plaques signalétiques apposées de manière permanente sur le produit. Cela pourrait entraîner l'annulation de la garantie.
- Les raccords flexibles de l'appareil doivent être conformes à la norme ANSI Z21.24 et aux règlements de commissions d'État. Leur longueur ne doit pas dépasser 35 1/2 pouces (900 mm). Installez ces appareils conformément aux instructions afin d'éviter tout danger.
- Cet appareil doit être installé par un technicien autorisé (mise en garde : dans les limites de l'État du Massachusetts, cet appareil doit être installé par un monteur d'installation au gaz ou plombier autorisé).

- Remettez ces instructions à la personne qui installera l'appareil. Cela pourrait réduire vos coûts d'installation.
- Laissez ces instructions avec l'appareil. Demandez au client de les conserver pour toute référence ultérieure ou vérification des inspecteurs locaux.
- Le fait de ne pas installer l'appareil de façon adéquate pourrait entraîner l'annulation de toute garantie ou réclamation.
- La vérification des fuites doit être effectuée conformément aux instructions du fabricant. Utilisez uniquement des pièces de remplacement authentiques pour effectuer l'entretien ou les réparations de l'appareil. Vous pouvez vous les procurer auprès d'un Centre de service Fisher & Paykel dans votre région.

Avant d'installer l'appareil, assurez-vous que :

- les conditions de distribution locales (nature du gaz et pression) et le réglage de l'appareil sont compatibles. Pour connaître les conditions de réglage de cet appareil, voir 'Tableau de débit des gaz' à l'étape 3.
- le câblage fixe comporte un interrupteur de sectionnement approprié, installé dans une position convenable.
- l'appareil est branché à une prise électrique mise à la terre en conformité avec les codes locaux ou, en l'absence de tels codes, avec la norme ANSI/NFPA 70 ou CSA C22.2 (Canada) du Code national de l'électricité.
- une prise électrique (110-120 V 60 Hz) se trouve à proximité du câble de l'appareil (35 1/2 po (900 mm) à partir de la partie centrale à l'arrière de l'appareil). Cette prise doit demeurer accessible après l'installation. Le câble d'alimentation électrique ne doit toucher aucune pièce métallique.
- le comptoir est au niveau et bien droit, et aucune pièce de charpente ne nuit aux exigences de dégagement.
- le comptoir est fait d'un matériau résistant à la chaleur.
- vous prenez note de ces matériaux incombustibles recommandés : panneau de celloderme ignifuge de 1/4 po (6 mm) couvert d'une tôle d'acier n° 28 MSG (minimum), d'acier inoxydable de 1/32 po (0,4 mm), d'aluminium de 1/32 po (0,6 mm) ou de cuivre de 1/32 po (0,5 mm).
- le robinet d'arrêt du gaz est accessible après l'installation.
- si le câble d'alimentation électrique est endommagé, il doit être remplacé uniquement par un câble spécial : Pièce n° 534901 (Trml Block-flex Assy CG901 NZ US), disponible auprès des agents de service autorisés de Fisher & Paykel.
- REMARQUE :
 Comme il est nécessaire de retirer la surface de cuisson du comptoir pour effectuer l'entretien et les réparations, nous ne recommandons pas une installation encastrée. Dans toute la mesure permise par la loi, le propriétaire doit assumer tous les risques liés à l'installation encastrée de la surface de cuisson. Le propriétaire doit retirer la surface de cuisson du comptoir avant d'effectuer un entretien ou une réparation. Fisher & Paykel n'assume aucune responsabilité pour les coûts liés au retrait ou à la réinstallation des appareils encastrés et/ou scellés, ni pour les réparations ou dommages pouvant résulter de ce type d'installation. Fisher & Paykel n'exclut aucune responsabilité pouvant lui être imposée et dont la loi ne permet pas l'exclusion, du fait d'avoir communiqué cet avis.

IMPORTANT! CONSERVEZ CES INSTRUCTIONS

Les modèles illustrés dans ce guide d'installation peuvent ne pas être disponibles dans tous les pays et sont sujets à modifications sans préavis. Pour les plus récentes informations sur la disponibilité des modèles et des caractéristiques dans votre pays, veuillez visiter notre site Web www.fisherpaykel.com ou contacter votre détaillant Fisher & Paykel local.

② PIÈCES FOURNIES



Support de wok (1)



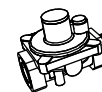
Petite pièce d'appui (1)



Raccord avec filetage NPT de 1/2 po (12,7 mm) (1)

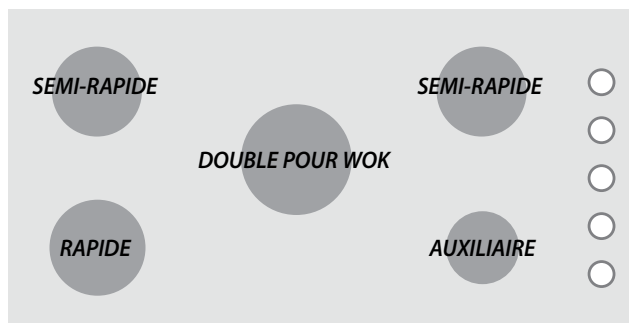


Supports de retenue (6) et vis (6)



Régulateur (1)

③ TABLEAU DE DÉBIT DES GAZ



CG365DW

Installations en haute altitude

Pour les installations au-dessus de 3 000 pi, des ensembles de conversion sont requis :

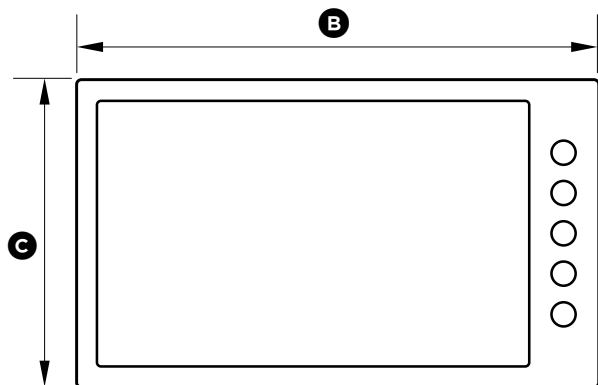
3 000-6 000 pi 535315 ENSEMBLE GPL HAUTE ALTITUDE 3-6K CG365 ENCASTRÉ
535317 ENSEMBLE GN HAUTE ALTITUDE 3-6K CG365 ENCASTRÉ

6 000 pi+ 535316 ENSEMBLE GPL HAUTE ALTITUDE 6-9K CG365 ENCASTRÉ
535318 ENSEMBLE GN HAUTE ALTITUDE 6-9K CG365 ENCASTRÉ

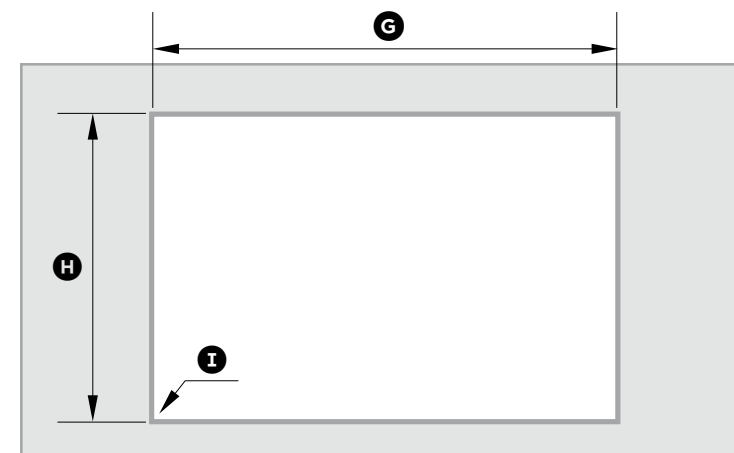
Communiquez avec votre détaillant autorisé ou l'assistance à la clientèle, ou consultez notre site Web, à l'adresse indiquée à l'arrière de ce document.

US CA	ORIFICE D'INJECTION (MM)		VALEUR NOMINALE (BTU/HEURE)		ORIFICE D'INJECTION (MM)		VALEUR NOMINALE (BTU/HEURE)	
	GN	GPL	GN	GPL	GN	GPL	GN	GPL
CG365DW	AUXILIAIRE							
	0,9		3 800		0,55		3 500	
	1,35		8 500		0,8		7 600	
	1,45		9 500		0,87		9 000	
SEMI-RAPIDE								
1,45		9 500		0,87		9 000		
RAPIDE								
1,45		9 500		0,87		9 000		
DOUBLE POUR WOK								
1,45		18 500		0,80		18 000		
0,70		0,50						

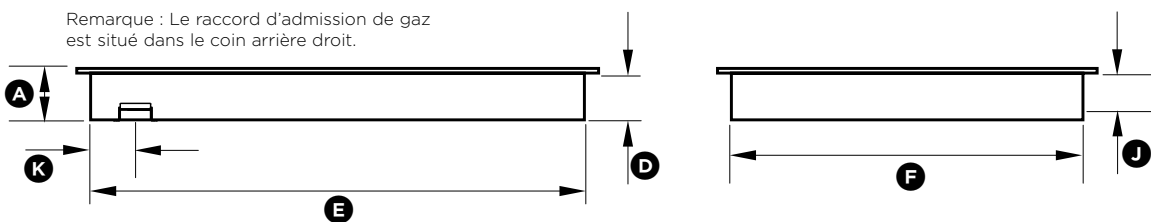
④ DIMENSIONS DU PRODUIT ET DES ARMOIRES



DESSUS



DESSUS



ARRIÈRE

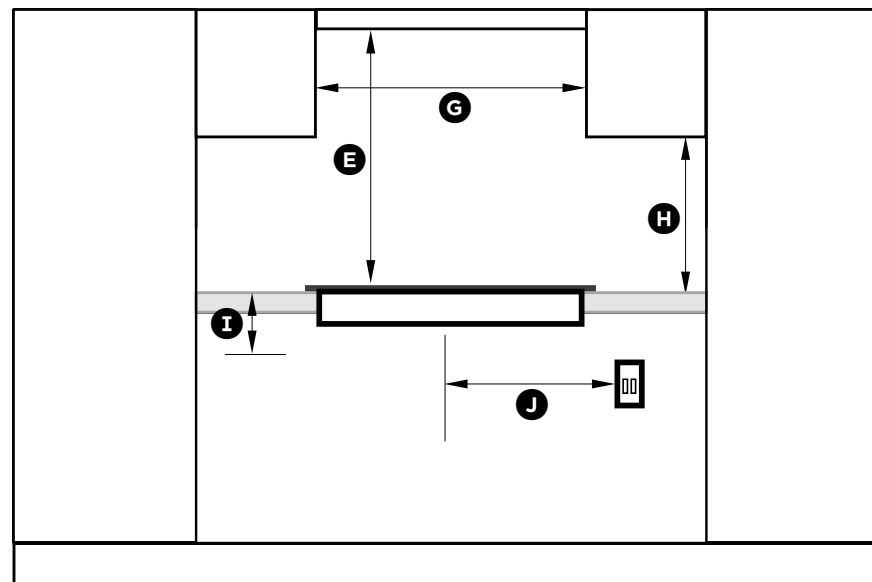
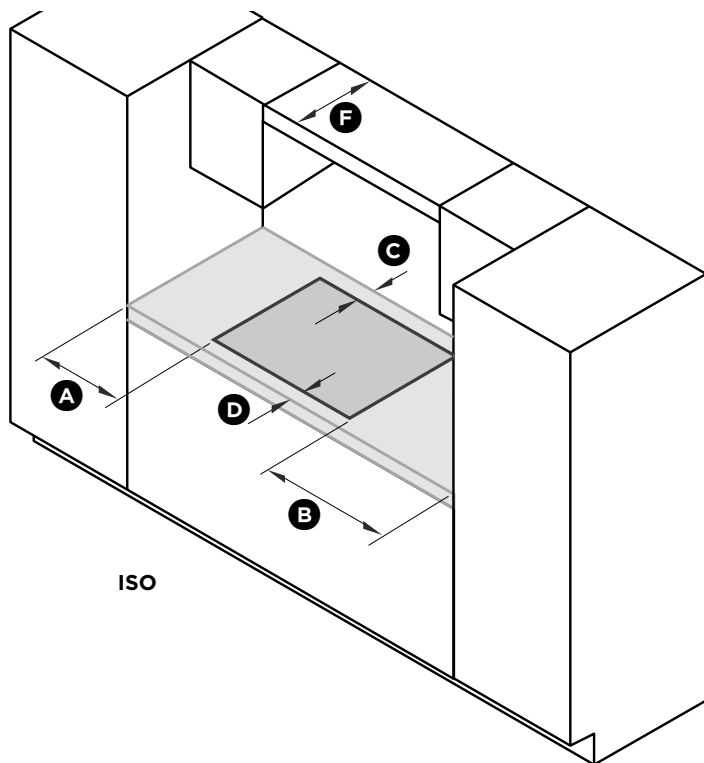
CÔTÉ



DEVANT

DIMENSIONS DU PRODUIT	pouces (mm)
Ⓐ Hauteur hors tout du produit (excluant les brûleurs, les boutons et les pièces d'appui)	3 1/8 po (80)
Ⓑ Largeur hors tout du produit	35 1/2 po (900)
Ⓒ Profondeur hors tout du produit	20 7/8 po (530)
Ⓓ Hauteur du châssis (sous la surface du comptoir)	3 1/16 po (77)
Ⓔ Largeur du châssis	33 13/16 po (859)
Ⓕ Profondeur du châssis	19 3/16 po (487)
Ⓖ Largeur hors tout de l'ouverture	34 1/4 po (870)
Ⓗ Profondeur hors tout de l'ouverture	19 7/16 po (494)
Ⓘ Rayon du coin de l'ouverture	max. 3/8 po (10)
Ⓙ Distance entre la surface du comptoir et le centre de l'admission de gaz du produit	2 15/16 po (74)
Ⓚ Distance entre le rebord du châssis et l'admission de gaz du produit	7/8 po (22)

⑤ DIMENSIONS DE DÉGAGEMENT



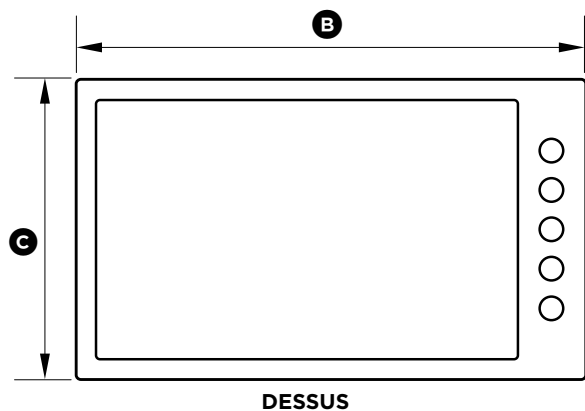
DEVANT

DIMENSIONS DE DÉGAGEMENT	pouces (mm)
Ⓐ Dégagement minimal entre le côté gauche du produit et la surface verticale la plus proche	3 1/2 po (90)
Ⓑ Dégagement minimal entre le côté droit du produit et la surface verticale la plus proche	1 po (25)
Ⓒ Dégagement minimal entre l'arrière du produit et : la surface combustible la plus proche la surface incombustible la plus proche*	5 1/2 po (140) moins de 1 1/4 po (32)
Ⓓ Dégagement minimal entre le devant du comptoir et le devant du produit	1 1/4 po (32)
Ⓔ Dégagement minimal entre la surface de cuisson et une surface combustible centrée au-dessus de la surface de cuisson	34 po (860)
Ⓕ Profondeur hors tout maximale des armoires suspendues	13 po (330)
Ⓖ Distance minimale entre les armoires suspendues installées des deux côtés du produit	36 po (915)
Ⓗ Distance verticale minimale entre le comptoir et une armoire au-dessus du comptoir	18 po (457)
Ⓘ Dégagement minimal entre le dessous du comptoir et : la surface combustible la plus proche une cuisinière F&P ou la surface incombustible la plus proche	3 5/16 po (84) 3 5/16 po (84)
Ⓙ Distance maximale entre la partie centrale du produit et la prise électrique avec mise à la terre la plus proche. Le câble d'alimentation électrique ne doit toucher aucune surface métallique chaude.	30 po (762)

* Les matériaux incombustibles recommandés sont : panneau de celloderme ignifuge de 1/4 po (6 mm) couvert d'une tôle d'acier n° 28 MSG (minimum), d'acier inoxydable de 0,015 po (0,4 mm), d'aluminium de 0,024 po (0,6 mm) ou de cuivre de 0,020 po (0,5 mm).

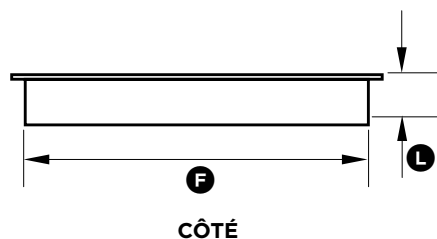
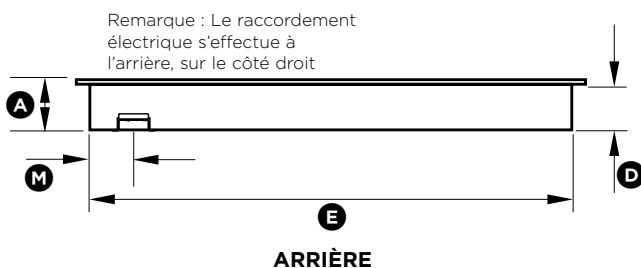
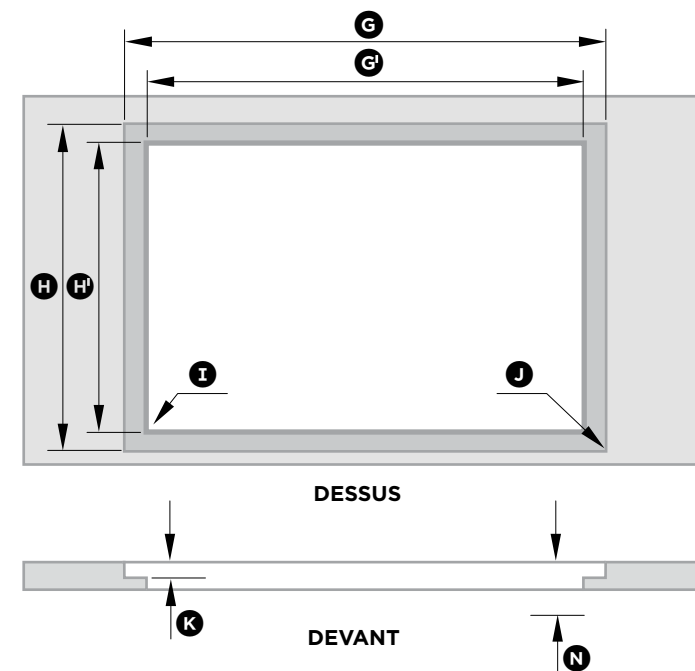
5

INSTALLATION ENCASTRÉE (OPTIONNELLE)



IMPORTANT!

Reportez-vous à la REMARQUE dans 'Avant d'installer l'appareil' de la section 'Consignes de sécurité et mises en garde' avant d'encastrer cet appareil.

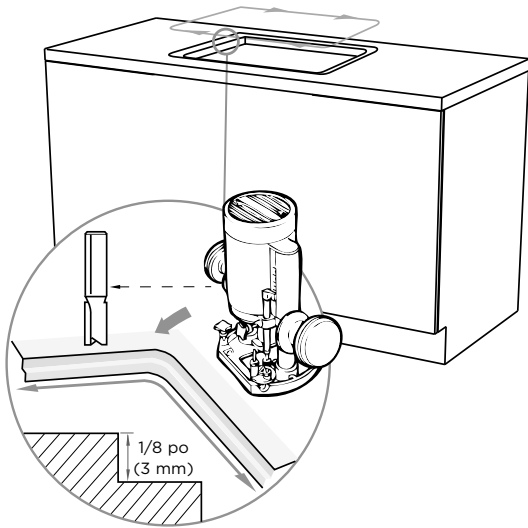


DIMENSIONS DU PRODUIT ET DES ARMOIRES

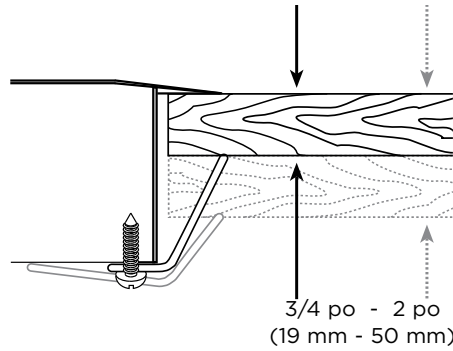
	pouces (mm)
(A) Hauteur hors tout du produit (excluant les brûleurs, les boutons et les pièces d'appui)	3 1/8 po (80)
(B) Largeur hors tout du produit	35 1/2 po (900)
(C) Profondeur hors tout du produit	20 7/8 po (530)
(D) Hauteur du châssis (sous la surface du comptoir)	3 1/16 po (77)
(E) Largeur du châssis	33 13/16 po (859)
(F) Profondeur du châssis	19 3/16 po (487)
(G) Largeur hors tout de la cavité	35 5/8 po (905)
(G') Largeur de l'ouverture	34 1/4 po (870)
(H) Profondeur hors tout de la cavité	21 1/16 po (535)
(H') Profondeur de l'ouverture	19 7/16 po (494)
(I) Rayon du coin de l'ouverture	max. 3/8 po (10)
(J) Rayon du coin de la cavité	max. 3/16 po (5)
(K) Hauteur de la cavité	1/8 po (3)
(L) Distance entre la surface du comptoir et le centre de l'admission de gaz du produit	2 13/16 po (71)
(M) Distance entre le rebord du châssis et l'admission de gaz du produit	7/8 po (22)
(N) Dégagement minimal entre le dessus du comptoir et : la partie supérieure arrière de la cuisinière* installée sous la surface de cuisson ou les armoires la barrière de protection thermique	3 1/2 po (89) 3 1/2 po (89)

5 INSTALLATION ENCASTRÉE (OPTIONNELLE)

A TOUPILLEZ LE COMPTOIR À LA PROFONDEUR SPÉCIFIÉE

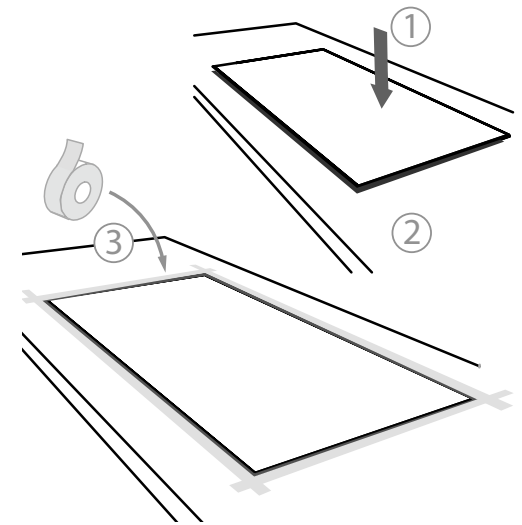


B INSTALLEZ LES SUPPORTS DE RETENUE

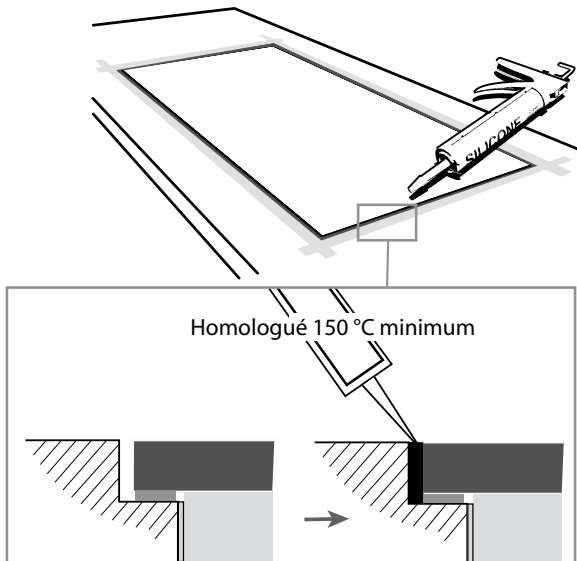


RÉPÉTEZ SUR TOUS LES AUTRES CÔTÉS
(6 supports au total)

C MASQUEZ LA SECTION SUR LAQUELLE LA SILICONE DOIT ÊTRE APPLIQUÉE

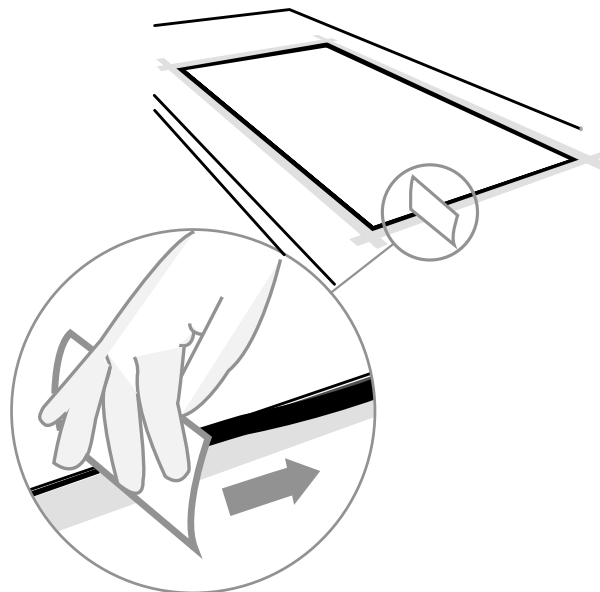


D APPLIQUEZ LA SILICONE

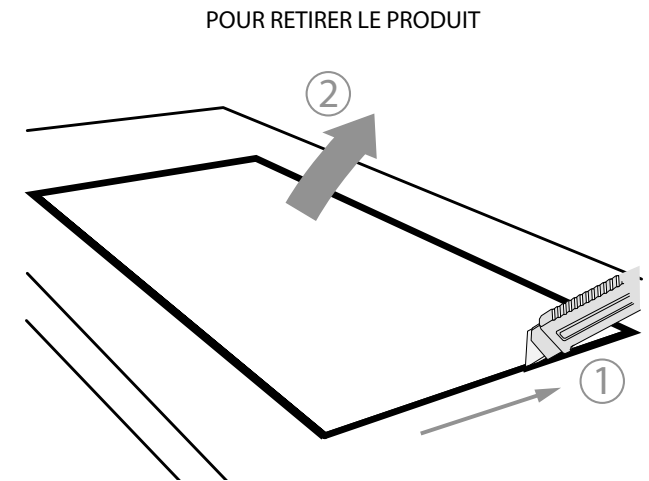


Assurez-vous qu'il n'y ait pas de fuite de silicone sous le rebord en acier.

E ESSUYEZ L'EXCÉDENT DE SILICONE

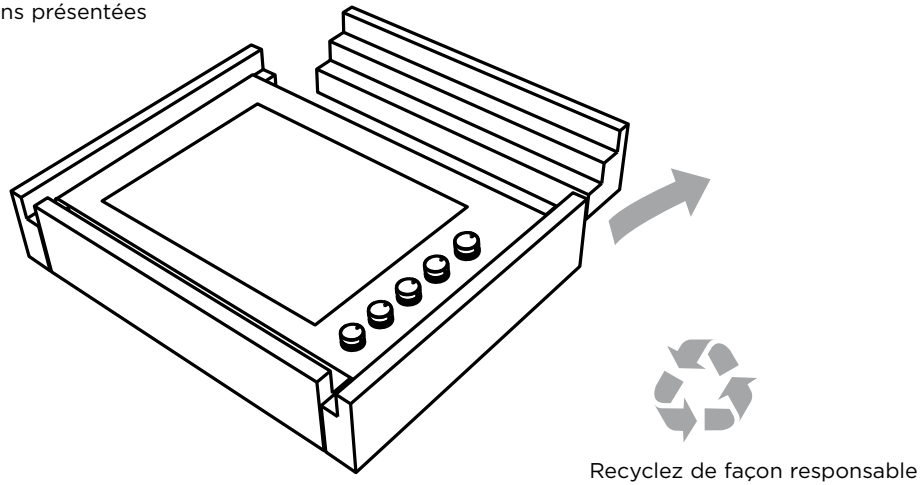


F POUR RETIRER LE PRODUIT, COUPEZ AUTOUR DE LA SILICONE

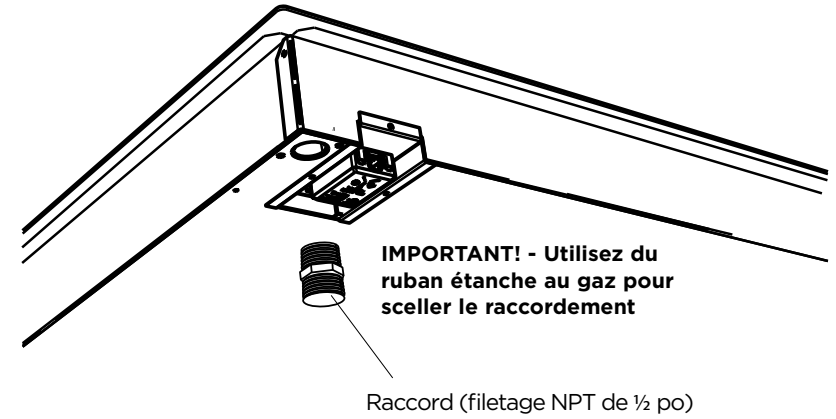


⑥ METTEZ L'EMBALLAGE AU REBUT

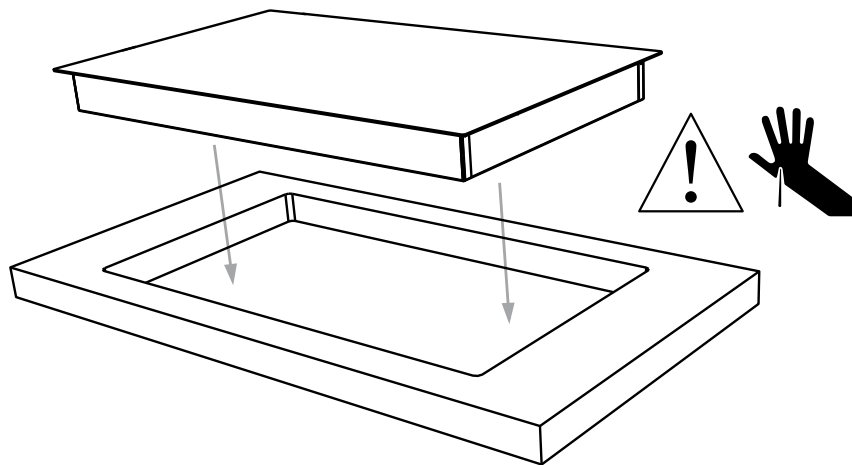
Le modèle peut être différent des illustrations présentées



⑦ INSTALLEZ LE RACCORD ET LA RONDELLE



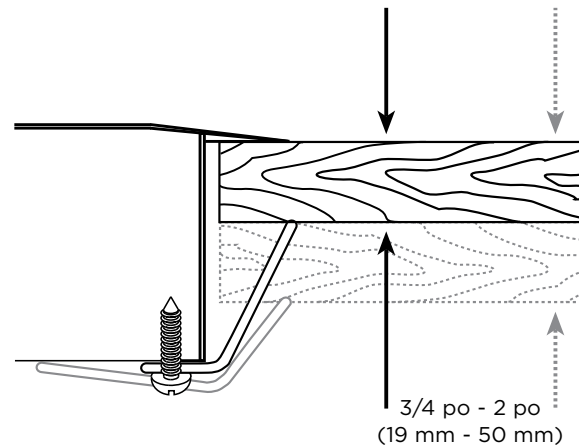
⑧ DÉPOSEZ L'APPAREIL DOUCEMENT DANS L'OUVERTURE



9 FIXEZ AU COMPTOIR À L'AIDE DES SUPPORTS EN TENANT COMPTE DE L'ÉPAISSEUR DU COMPTOIR

Placez la surface de cuisson dans la cavité et serrez-la à l'aide des pièces de fixation fournies. Celles-ci conviennent aux épaisseurs de comptoir de 3/4 po à 2 po (19 mm à 50 mm) lorsqu'elles sont utilisées dans les deux orientations illustrées.

IMPORTANT! - Ne serrez pas excessivement.



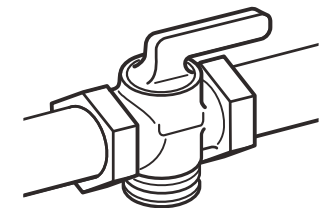
**RÉPÉTEZ SUR TOUS LES AUTRES CÔTÉS
(6 supports au total)**

10 RACCORDEMENT DU GAZ

- Assurez-vous que le point de raccordement demeure accessible après l'installation de la surface de cuisson.
- Pour permettre au client de fermer rapidement l'alimentation en gaz, assurez-vous que le raccordement soit muni d'un robinet d'isolement situé à proximité de la surface de cuisson.
- Fermez le robinet d'arrêt individuel de l'appareil pour l'isoler de la tuyauterie d'alimentation en gaz pendant toute vérification de pression de la tuyauterie d'alimentation alors que la pression d'essai est égale ou inférieure à 1/2 psi (3,5 kPa).
- Pression d'admission maximale de l'alimentation en gaz : 20 po (508 mm) de colonne d'eau (5 kPa). Pression minimale de l'alimentation en gaz pour la vérification du régulateur de gaz : 5 po (127 mm) de colonne d'eau pour le gaz naturel, 12 po (305 mm) de colonne d'eau pour le gaz de pétrole liquéfié.
- Vous devez installer un robinet d'arrêt manuel dans un endroit accessible de la canalisation externe de l'appareil pour pouvoir ouvrir ou couper l'alimentation en gaz à l'appareil (au Massachusetts, de tels dispositifs doivent être approuvés par le Board of State Examiners of Plumbers & Gas Fitters).
- Le raccordement en gaz à ce produit doit utiliser le raccord fourni avec filetage NPT externe de 1/2 po (12,7 mm). Le régulateur de pression du gaz fourni doit être installé dans un endroit accessible permettant de le régler. Le tuyau en métal flexible utilisé doit être à l'état neuf, homologué CSA ou UL, et muni de filetage NPT externe de 1/2 po (12,7 mm) à l'une des extrémités, et de filetage NPT de 1/2 po (12,7 mm) à l'autre extrémité.

Pour le raccordement du gaz à l'aide d'un tuyau flexible

- Assurez-vous que le tuyau soit suffisamment long pour permettre le retrait de la surface de cuisson pour l'entretien et les réparations.
- Assurez-vous que le connecteur soit positionné de la manière indiquée à l'étape 5 « DIMENSIONS DE DÉGAGEMENT ».
- L'assemblage du tuyau doit être effectué à l'aide d'un raccord à filetage femelle de type Rp 1/2 po (12,7 mm) (ISO 7-1).
- L'assemblage du tuyau doit être aussi court que possible et conforme aux exigences applicables.
- Le tuyau ne doit pas être entortillé, soumis à l'abrasion ou déformé de manière permanente.
- Le tuyau ne doit pas être installé à proximité ou placé en contact avec des surfaces chaudes (p. ex. la base de la plaque chauffante métallique, le conduit de fumée ou le châssis d'une cuisinière sous le comptoir).



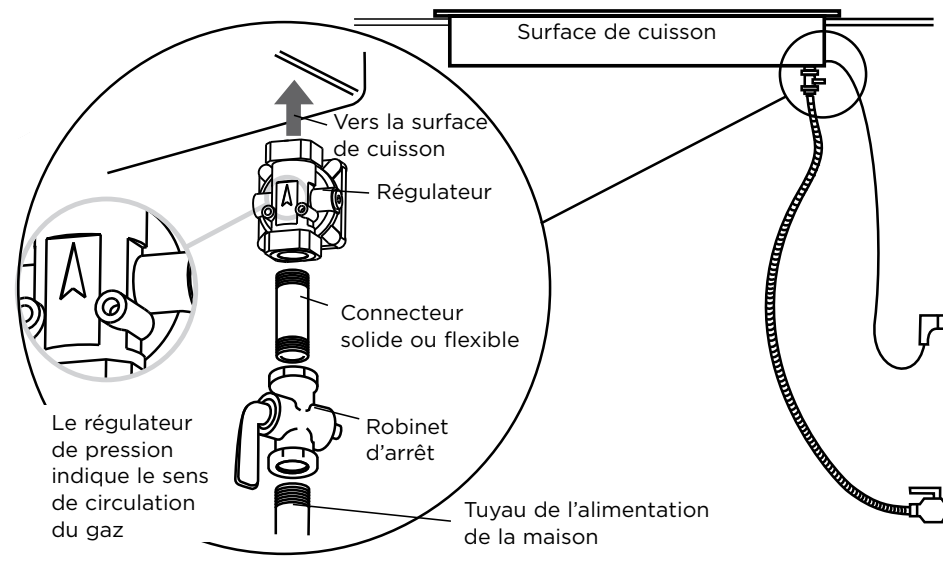
11 RACCORDEZ À L'ALIMENTATION EN GAZ

Cet appareil est réglé en usine pour utiliser une pression de gaz naturel de 4 po (102 mm) de colonne d'eau ou une pression de gaz de pétrole liquéfié de 11 po (279 mm) de colonne d'eau. Vérifiez l'étiquette apposée sous l'appareil.

Régulateur de gaz

- Pour l'utilisation avec un régulateur de pression de gaz, tel qu'illustré.

Pour les modèles utilisant du gaz de pétrole liquéfié, le capuchon du régulateur doit indiquer 'LP' ('GPL').

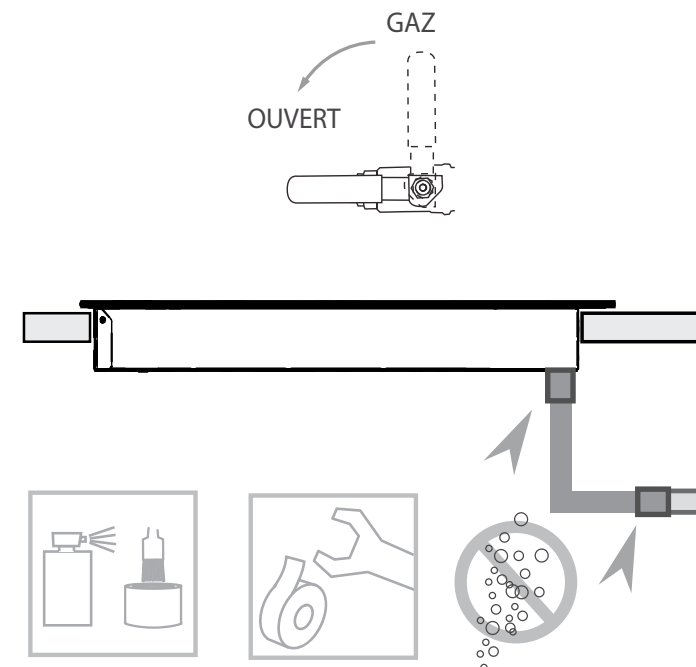


12 VÉRIFICATION DES FUITES

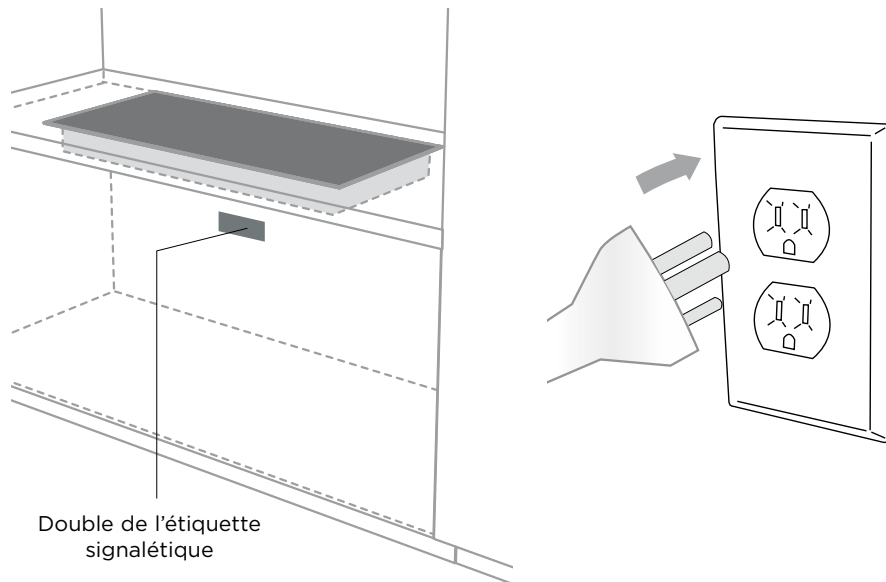
- La vérification des fuites doit être effectuée conformément aux instructions du fabricant.
- L'appareil et son robinet d'arrêt individuel doivent être débranchés de la tuyauterie d'alimentation en gaz lorsque la vérification de pression donne une valeur supérieure à 1/2 psi (3,5 kPa).
- Fermez le robinet d'arrêt individuel de l'appareil pour l'isoler de la tuyauterie d'alimentation en gaz pendant toute vérification de pression de la tuyauterie d'alimentation alors que la pression d'essai est égale ou inférieure à 1/2 psi (3,5 kPa).
- Pression d'admission maximale de l'alimentation en gaz : 20 po (508 mm) de colonne d'eau (5 kPa)
- Pression minimale de l'alimentation en gaz pour la vérification du régulateur de gaz : 5 po (127 mm) de colonne d'eau pour le gaz naturel, 12 po (305 mm) de colonne d'eau pour le gaz de pétrole liquéfié.

Une fois l'installation de l'alimentation en gaz terminée et tous les raccordements effectués, vérifiez soigneusement l'installation pour déceler toute fuite :

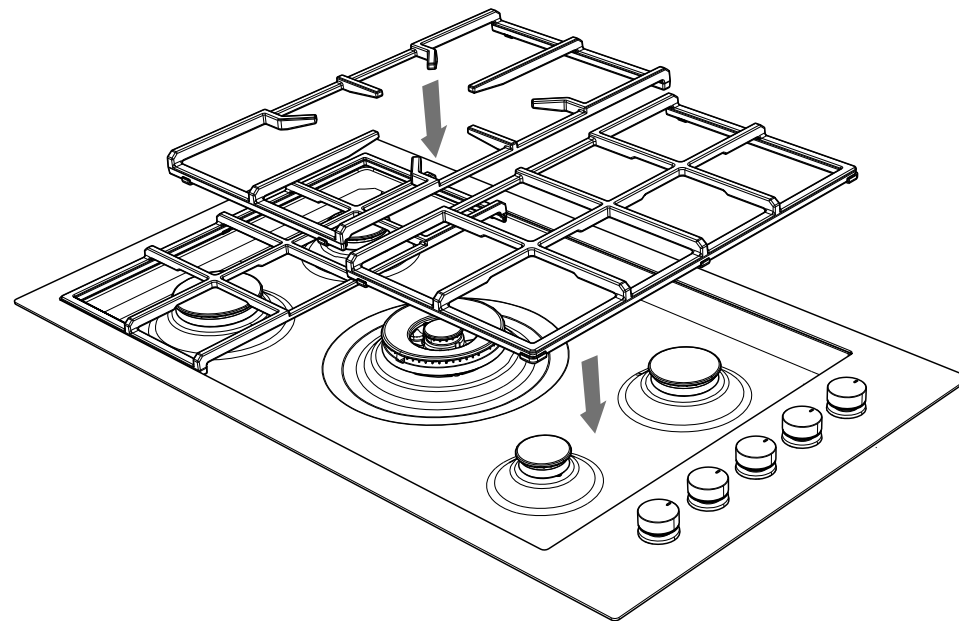
- ① Tournez tous les boutons de réglage de l'appareil à la position « OFF » (« ARRÊT »).
- ② Ouvrez le robinet de l'alimentation en gaz.
- ③ À l'aide d'un fluide de détection de fuite (p. ex. un vaporisateur de détection de fuite Rocol), vérifiez tous les raccords de gaz un à un en vaporisant ou appliquant la solution sur le raccord. La présence de bulles indique une fuite.
- ④ Si nécessaire, serrez le raccord et vérifiez de nouveau s'il y a des fuites.
- ⑤ Ouvrez la valve de brûleur et allumez chaque brûleur.
- ⑥ Vérifiez si l'appareil produit une flamme bleu clair sans pointe jaune. Si les brûleurs fonctionnent anormalement, vérifiez s'ils sont installés adéquatement, en ligne droite avec l'orifice d'injection.



13 APPOSEZ LE DOUBLE DE L'ÉTIQUETTE SIGNALÉTIQUE À UN ENDROIT ACCESSIBLE ET BRANCHEZ LA SURFACE DE CUISSON

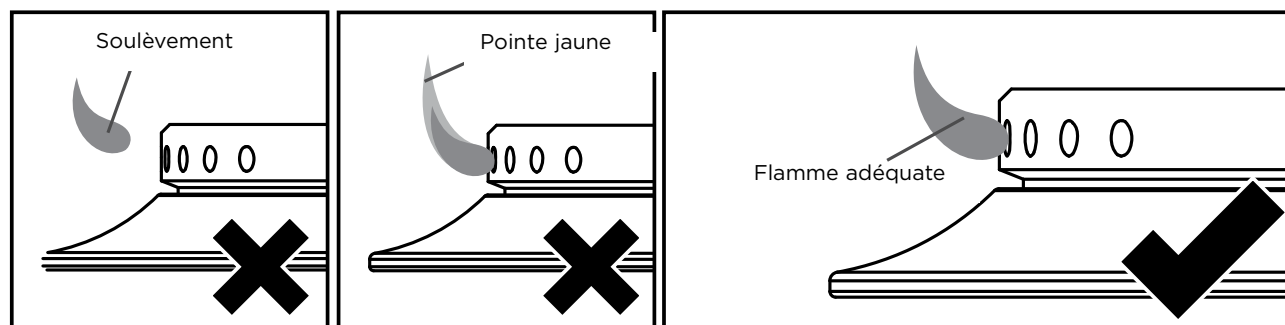


14 INSTALLEZ LES PIÈCES D'APPUI



15 VÉRIFICATION DES FUITES

- Pour vous assurer que le système d'allumage fonctionne correctement, allumez chaque brûleur individuellement, puis tous les brûleurs simultanément.
- Vérifiez si l'appareil produit une flamme bleu clair bien définie, sans pointe jaune.
- Si vous constatez un fonctionnement anormal, vérifiez si les composantes de l'assemblage de brûleur sont installées correctement.
- S'il est impossible d'obtenir un fonctionnement adéquat, communiquez avec le service à la clientèle ou un centre de service autorisé F&P dans votre région.
- Le client ne doit pas utiliser la surface de cuisson avant qu'elle ne fonctionne correctement.





À ÊTRE REMPLIE PAR L'INSTALLATEUR

- Avez-vous installé les supports de retenue?
- Avez-vous vérifié si le type de modèle (réglé en usine pour le gaz naturel (GN) ou le gaz de pétrole liquéfié (GPL)) correspond au type de gaz disponible sur le site d'installation?
- Avez-vous scellé tous les raccordements à l'aide de ruban étanche au gaz?
- Avez-vous vérifié tous les raccords pour déceler d'éventuelles fuites?
- La surface de cuisson est-elle réglée à la pression adéquate?
- Avez-vous apposé le double de l'étiquette signalétique fourni sur une surface adjacente accessible au client?
- La surface de cuisson est-elle mise à la terre?
- Assurez-vous que le câble d'alimentation électrique ne touche PAS à la surface de cuisson.

FONCTIONNEMENT :

- Est-ce que tous les brûleurs peuvent s'allumer individuellement et simultanément?
- Les flammes sont-elles uniformes et de la bonne taille?
- Avez-vous expliqué le fonctionnement de base au client?

Remplir et conserver pour référence ultérieure :

Modèle _____

N° de série _____

Date d'achat _____

Acheteur _____

Adresse du détaillant _____

Nom de l'installateur _____

Signature de l'installateur _____

Entreprise d'installation _____

Date de l'installation _____

