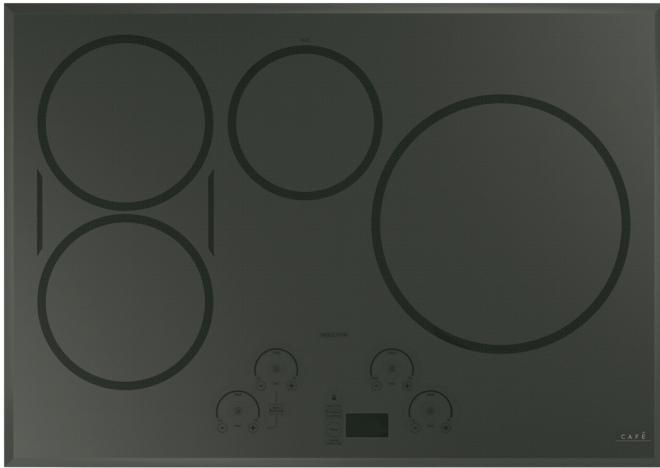


Café™ 30" Built-In Touch Control Induction Cooktop

CHP95302MSS

CAFÉ

DISTINCT BY DESIGN™



FEATURES & BENEFITS

Take culinary skills to the next level with **Gourmet Guided Cooking**, which combines video-guided recipes from chefs with a system that automatically adjusts the time, temperature and cooking pace for perfect results.

Control your cooktop with your Smart phone using **WiFi Connect**.

Prep like a pro with rapid, precise heat control that stays cool to the touch using **four induction elements**.

When you're updating your kitchen, attention to detail is a priority. That's why Café cooktops are guaranteed for an exact fit for an easy and seamless replacement.

Make your cooking process as impressive as the food itself, with **touch controls** that let you control heat with just one swipe.

Cook pastas al dente in no time, with an **11" induction element** that boils a quart of water in 101 seconds.

Evenly heat large cookware like griddles or dutch ovens by controlling **two 7" synchronized elements** with just the touch of a button.

Make multitasking look easy with a **multi-element timer** that lets you manage up to five pans at once.

Prevent unintended burner activation with **control lock capability**.

Customize your cooktop to meet your unique needs with **personalized settings**.

Sear with speed with **Pan presence and size sensors** that heat to the size of your pan and turn off when it's off the cooktop.

APPEARANCE

Color Appearance	Flagstone Gray
Frameless	Yes

FEATURES

Cooktop Surface	Gray Ceramic Glass with Beveled-Edge
Cooktop Burner Type	4 Induction Elements
Element - Left Front	7" 2500W
Element - Left Rear	7" 2500W
Element - Right Front	11" 3700W
Element - Right Rear	6" 1800W
Control Location	Front Center
Control Type	Glide Touch
Cooktop Control Features	Control Lock Capability Custom Settings Kitchen timer Melt Setting Multi-element timer Sync-Burners Capability
Melt Setting	Yes
Indicator Lights	4 Hot Surface Surface Element "ON" Setting Level Indicators White/Red
Timer	Yes
Optional Accessories	JXPROBE1 - Precision cooking probe JXGRIDL1 - Griddle

WEIGHTS & DIMENSIONS

Approximate Shipping Weight	45 lb
Cabinet Width	30 in
Cooktop Size	30 in
Cutout Dimensions (Width x Depth) (In.)	28-1/2 x 19-5/8
Net Weight	39 lb
Overall Depth	20 7/8 in
Overall Height	4 5/8 in
Overall Width	29 3/4 in

POWER/RATINGS

Amp Rating at 208V	40
Amp Rating at 240V	40
KW Rating at 208V	6.4
KW Rating at 240V	7.4

ACCESSORIES

11" Gourmet Guided Cooking Pan	Included
--------------------------------	----------

Café™ 30" Built-In Touch Control Induction Cooktop

CHP95302MSS

CAFÉ

DISTINCT BY DESIGN™

WARRANTY

Parts warranty	Limited 1-year entire appliance
Labor warranty	Limited 1-year entire appliance

DIMENSIONS AND INSTALLATION

Important: Requires a 3" free area between the bottom of the cooktop to any combustible material, i.e., shelving. Free area not required when installing wall oven underneath cooktop. Refer to installation instructions. Requires a 15" minimum from cooktop to adjacent overhead cabinets. Units are furnished with a 48" flexible armored cable.

Note: 30" induction cooktops are approved for use over select Café 27" and Café 30" Single Wall Ovens and Warming Drawers. Refer to cooktop and wall oven/warming drawer installation instructions packed with product for current dimensional data. If installed with a Café Telescopic Downdraft System, consult both the cooktop and downdraft installation instructions packed with product before installing. Cooktop gas/electric supply may need to be re-routed to install downdraft. The countertop cutout requires 23-1/2" minimum flat countertop surface and 25" minimum total countertop depth. In addition, other clearances to front edge of the countertop must be considered.

Before installing, consult installation instructions packed with product for current dimensional data.

KW RATING

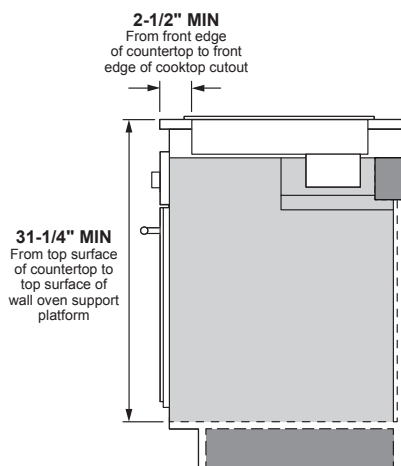
240V	7.4
208V	6.4

AMPERAGE

240V	40 Amps†
208V	40 Amps†

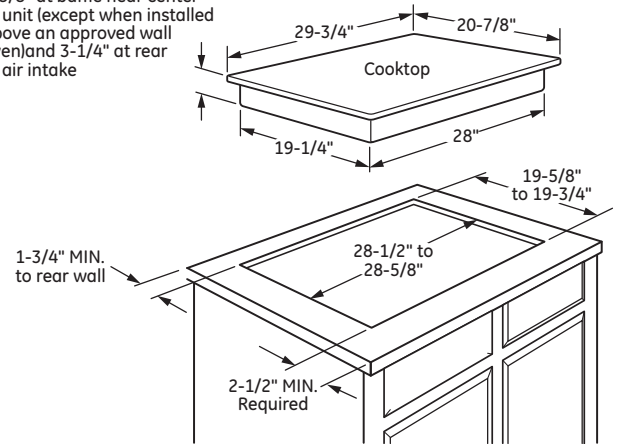
Note: Check local codes for required breaker size.

Installation above a wall oven



Approximate Cooking Dimensions

4-5/8" at baffle near center of unit (except when installed above an approved wall oven and 3-1/4" at rear of air intake)



13" MAX. depth of unprotected overhead cabinets (when no hood or microwave is installed)

