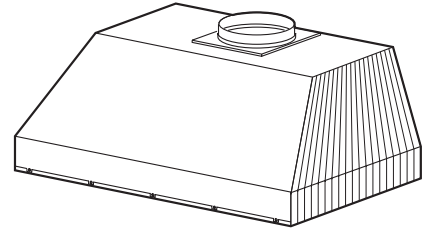


CP57IQ SERIES RANGE HOODS



All-in-one design includes liner, blower, filtration, controls, lighting, and damper for easy installation into custom canopy hoods. Intended for all residential applications, including commercial-style cooking surfaces.

FEATURES

- Cabinet mount - custom applications
- Finish: 430 Stainless Steel #4 Brushed
- Widths: 34-3/8", 46-3/8", 52-3/8", 58-3/8", 64-3/8"
- Depth: 19-1/4" (34-3/8" & 46-3/8" Widths only), 22-1/2" (All Widths except 34-3/8")
- 10" round duct connector with backdraft damper
- 1-level LED lighting (2 LED modules - 34-3/8" & 46-3/8" Widths, 4 LED modules - 52-3/8", 58-3/8" & 64-3/8" Widths) 6 Watts max., 3000K nominal
- Easily accessible, dishwasher safe stainless steel Hi-Flow™ baffle filters with handles
- 4-speed electronic blower control
- Quiet iQ12 blower system with high efficiency BLDC motor
- Heat Sentry™ - automatically turns blower to high speed when excess cooking heat is detected
- Delay timer control automatically shuts off range hood after 10 minutes
- Special control indicates when it's time to clean the filter
- For indoor use only
- Remote control (optional) (ACR2)

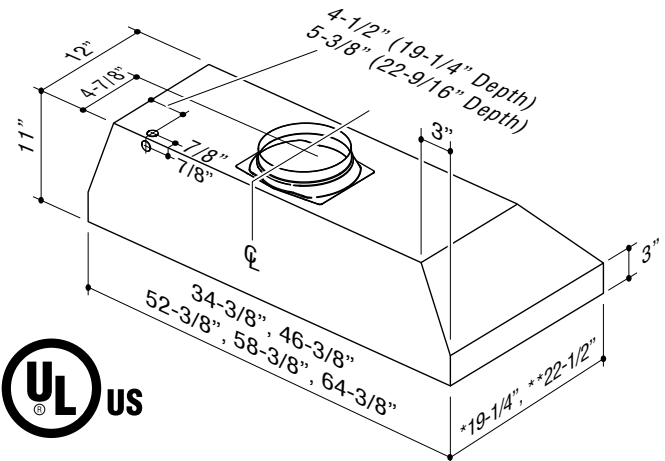
SPECIFICATIONS

| VOLTS | AMPS | CFM / SONES (Boost) | CFM / SONES (High Speed) | CFM / SONES (Med. Speed) | CFM / SONES (Low Speed) | DUCT |
|-------|------|---------------------|--------------------------|--------------------------|-------------------------|-----------|
| 120 | 8.3 | 1100 / 10.0 | 875 / 7.0 | 625 / 4.0 | 310 / <0.3 | 10" round |

This product was tested by Broan-NuTone for airflow performance using the ANSI/AMCA 210 Standard, which is equivalent to the Home Ventilating Institute HVI 916 - Procedure for Air Flow Testing, and tested for sound performance using the ANSI S12.51 Standard, which is equivalent to the Home Ventilating Institute HVI 915 - Procedure for Loudness Rating of Residential Fan Products.

iQ12 - 1200 CFM Blower System providing:

- Best in class quiet operation.
- Up to 30% faster smoke and odor removal than comparable models.
- Up to 22x more energy efficient than comparable models.
- Guaranteed Performance System (GPS) technology calibrates the hood system to every installation to provide up to 30% more CFM than standard range hoods.
- Using a duct reducer with this hood may prevent the product from calibrating.



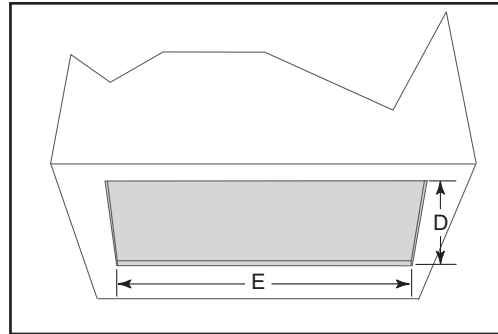
* 19-1/4" Depth available in 34-3/8" & 46-3/8" Widths only.
 ** 22-1/2" Depth available in all Widths except 34-3/8"

BEST Hartford, Wisconsin www.BestRangeHoods.com 800-558-1711
 BEST Mississauga, Ontario www.BestRangeHoods.com 877-896-1119

| REFERENCE | QTY. | REMARKS | Project |
|-----------|------|---------|-------------------|
| | | | Location |
| | | | Architect |
| | | | Engineer |
| | | | Contractor |
| | | | Submitted by Date |

To minimize the gap around the power pack, take actual width and depth measurements of power pack and add 1/16" to get D and E measurements. Cut the hole in the bottom of the cabinet according to dimensions. See chart and illustration for details.

| POWER PACK | | CUTOUT DIMENSIONS | |
|------------|-------|----------------------------------|----------------------------------|
| SERIES | WIDTH | D | E |
| CP571Q | 36" | 19 ³ / ₈ " | 34 ¹ / ₂ " |
| | 36" | 22 ⁵ / ₈ " | 34 ¹ / ₂ " |
| | 48" | 19 ³ / ₈ " | 46 ¹ / ₂ " |
| | 48" | 22 ⁵ / ₈ " | 46 ¹ / ₂ " |
| | 54" | 22 ⁵ / ₈ " | 52 ¹ / ₂ " |
| | 60" | 22 ⁵ / ₈ " | 58 ¹ / ₂ " |
| | 66" | 22 ⁵ / ₈ " | 64 ¹ / ₂ " |



CP571Q SERIES HOOD SYSTEM

