

Café™ 30" Wall-Mount Glass Canopy Chimney Hood

CVW73014MWM / CVW73013MDS / CVW73012MSS

CAFÉ



ALSO
AVAILABLE IN



CVW73012MSS
Stainless



CVW73013MDS
Matte Black

FEATURES & BENEFITS

Keep your kitchen smelling fresh and ready for guests with a **350-CFM venting system with boost** that removes smoke, grease, odors and moisture.

Add a conversation-starter to your kitchen with **electronic backlit controls** that look great and are easy to use.

Clearly watch the progress of preparing your favorite meals with **dual halogen cooktop lighting** that brightly illuminates the cooking surface.

See your way through midnight snacking with a **night light** that softly illuminates the cooktop and surrounding areas.

Fill the kitchen with fresh air with two **convertible venting options**: recirculating or external venting.

Share favorite stories without interruption, thanks to an **optional remote control** that can change lighting and fan speed settings from anywhere in the kitchen.

Keep conversations flowing without interruption thanks to an **auto-off** feature that deactivates the vent after 15 minutes.

Simplify clean-up with a **dishwasher-safe filter** that removes grease and can be cleaned alongside dishes too.

APPEARANCE

Blower / Light Switch Color	Backlit
-----------------------------	---------

FEATURES

Control Location	Front
Control Type	Backlit
Cooktop Lighting	Halogen
Ducting	Vertical Only
Exhaust Options	Vented to Outside Recirculating
Fan Speed Control	4-Speed
Filter Cleaning	Dishwasher Safe
Removable Grease Filter(s)	Yes
6" Round Duct	Yes
CFM/ Sones Rating	350/6.1 (Boost Speed) 330/5.4 (High Speed) 160/.9 (Working Speed)
Light Controls	On/Off/Night
Optional Accessories	CX10DC73WM / CX10DC73DS / CX10DC73SS - 10 (ft.) Ceiling Duct Cover Kit JXCF71 - Charcoal Filter UXRC70 - Remote Control

ECONOMICAL / QUIET

Venting Type	Convertible
--------------	-------------

TECHNICAL DETAILS

Amp Rating at 120V	5.3
--------------------	-----

WEIGHTS & DIMENSIONS

Approximate Shipping Weight	51 lb
Net Weight	43 lb
Cabinet Width	30 in
Overall Depth	18-1/2 in
Overall Height	1-3/4 in
Overall Width	30 in

Café™ 30" Wall-Mount Glass Canopy Chimney Hood

CAFÉ

CVW73014MWM / CVW73013MDS / CVW73012MSS

WARRANTY

Parts warranty	Limited 1-year entire appliance
Labor warranty	Limited 1-year entire appliance
Warranty notes	See written warranty for full details

DIMENSIONS AND INSTALLATION INFORMATION

Installation Information:

Before installing, consult Use & Care/installation instructions packed with product for current dimensional data.

Optional Accessories

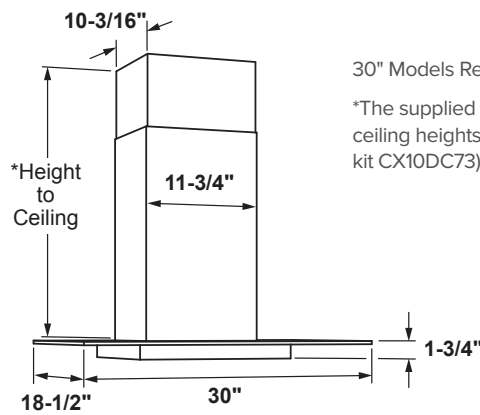
CX10DC73WM/DS/SS – 10(ft.) Ceiling Duct Cover Kit

For 30" distance from counter to hood:

7'-5" – 8'-9" ceiling height - no duct cover required
8'-10" and above ceiling height – CX10DC73WM/DS/SS
Refer to Installation Instructions for exact specifications

UXRC70 – Remote Control

JXCF71 – Charcoal Filter
(needed if used in recirculation mode)

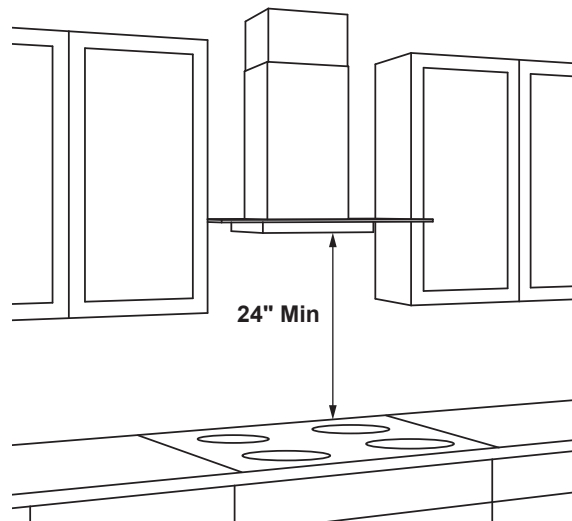


30" Models Require a 30"-Wide Opening

*The supplied duct cover fits 7'-5" to 9'-3" ceiling heights (10' with optional high ceiling kit CX10DC73)

AMP RATING

120V	5.3
------	-----



The vent hood must be installed 24" min. above the cooking surface. For optimal performance, installing the hood more than 36" above the cooking surface is not recommended. The hood installation height above the cooking surface depends upon ceiling height. The telescopic duct cover conceals the ductwork running from the top of the hood to the ceiling.

NOTE: Installation height should be measured from the cooking surface to the lowest part of the hood. This hood may be installed onto a wall and vented to the outdoors, or it can be installed for recirculating operation. Parts for recirculating operation are supplied with the hood. However, when installed for recirculating operation, the optional charcoal Filter JXCF71 will need to be purchased separately.