



VERTEX™ Complete Capture Design technology ventilates as well as an island hood.

Up to 35% quieter operation than any other downdraft.

Chimney raises 18" off the counter surface for optimal capture on all burners.

Long-lasting LED lighting technology means lamps may never need replacement.

Heat Sentry™ detects excessive heat and adjusts speed to high automatically.

10-minute time-delay shut-off feature and reminder light for filter maintenance.

Remote control to activate downdraft from another location.

Works with optional Automatic Make-Up Air Dampers.

**Model Numbers:**

D49M30SB

D49M36SB

D49M48SB

D49M30BLS

D49M36BLS



Our VERTEX™ Complete Capture Design technology performs as well as an island hood.



An LED light bar evenly illuminates the entire cooking surface.



A touch of a button raises or lowers the 18" downdraft.



Sleek, easy-to-clean touch-control panel.



An optional remote control button raises or lowers the downdraft as needed. Also available in black stainless.

**Hood Sizes**

**Widths** 30", 36", 48" (stainless only)

**Depth** 2-1/4"

**Finish**

Stocked Brushed Stainless Steel, Black Stainless Steel 30" and 36"

Special Order Not Available

**Features**

Lighting Type	LED, 7W (30"); 14W (36"); 18W (48")
Lighting Levels	2
Lighting Lamps Included	Yes
Control Type	4-speed Capacitive Glass
Control Features	Heat Sentry™, Delay Off, Filter Timer
Remote Control	Optional ACRD, ACRDBLS
Filter Type	Mesh Grease Filter
Non-ducted Capability	Yes

**Hood Blower Options** (Must choose one blower sold separately)

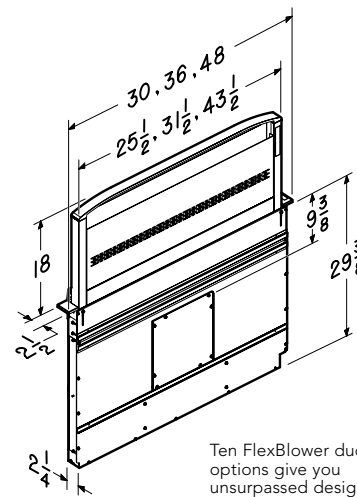
Internal	PF6			
FlexBlower CFM	600			
Sones	8.8			
External In-Line	ILB3	ILB6	ILB9	ILB11
Max CFM	280	600	800	1100
Sone levels are typically half of comparable CFM internal blowers.				
External Exterior	EB6	EB9	EB12	EB15
Max CFM	600	900	1200	1500
Sone levels are typically half of comparable CFM internal blowers.				

**Accessories**

Non-ducted Recirculating Kit	ANKD
Transition to 8" Round	AVDKD8
Transition to 10" Round	AVDKD10
Charcoal Filter	AFCD
Stainless Range Trim Kit	ATKD30SB, ATKD36SB, ATKD48SB
Stainless End Cap Extension	ATTD1
Black Stainless End Cap Extension	ATTD1BLS
Automatic MUA Damper	MD6T, MD8T, MD10T (Requires Fresh Air Inlet)
Fresh Air Inlet	641FA, 643FA, 610FA

**Installation Requirements**

Amps @ 120V: Internal Blower	6.0 Max
Electrical	Plug In
Duct Size: Internal Blower	8"
Duct Size: External Blower	10" at hood
Duct Direction	Front, Left, Right, Rear or Down
Backdraft Damper	Not Included



Ten FlexBlower ducting options give you unsurpassed design flexibility. The FlexBlower can be installed in front, to the left, right rear, or below the downdraft.

Optional end cap extension adds 1" to width for 31", 37" and 49" applications.



Shown in black stainless steel finish.



**BESTRangeHoods.com**

926 West State Street, Hartford, Wisconsin 53027  
In U.S.A. 800-558-1711, In Canada 866-737-7770