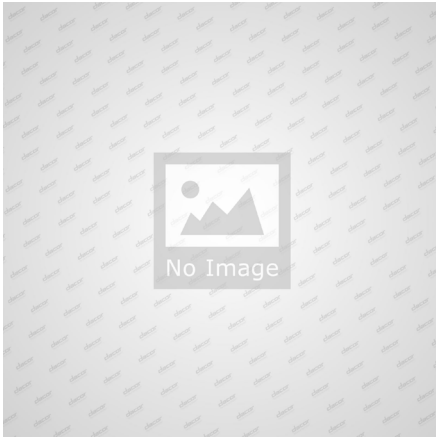


DDW24T99
24-INCH DISHWASHER
 HERITAGE COLLECTION



FEATURES	
WaterWall™	Yes
Capacity - 14 Place Settings	Yes
Auto Door Open - AutoRelease	Yes
CONTROLS	
Hidden Touch	Yes
PROGRAMS	
Total Programs	7
Auto	Yes
Normal	Yes
Heavy	Yes
Delicate	Yes
Express 60	Yes
Rinse Only	Yes
Self Clean	Yes
OPTIONS	
Total Options	7
Half Load	Yes
Zone Booster	Yes
Speed Booster	Yes
Hi-Temp Wash	Yes
Sanitize	Yes
Delay Start	Yes (1-24 Hrs)
Control Lock	Yes
UPPER RACK	
Basket Handle	Yes
Foldable Cup Shelves	Yes
Adjustable Height	Yes
Adjustable Tines	Yes
LOWER RACK	
Basket Handle	Yes
Fold Down Tines	Yes
Maximum Dish Size	12"
CUTLERY BASKET	
Cutlery Basket	Yes
Cutlery Tray	Yes
GENERAL FEATURES	
Tub Material	Stainless Steel
Heater Position	Hidden
Leakage Sensor	Yes
Cancel and Drain Button	Yes

AVAILABLE MODELS
<ul style="list-style-type: none"> • DDW24T998US - 24" Dishwasher, Stainless Steel • DDW24T999BB - 24" Dishwasher, Panel Ready

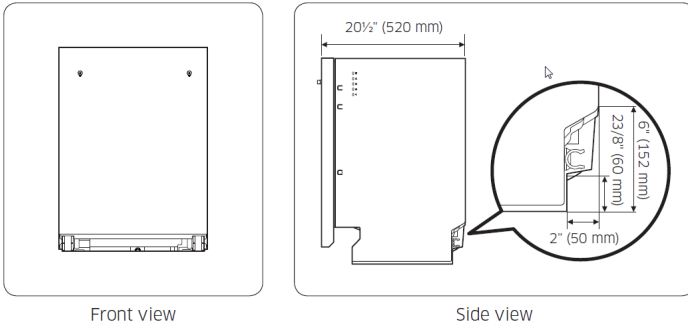
FEATURES & BENEFITS
<ul style="list-style-type: none"> • WaterWall™ technology provides corner to corner cleaning power. • Zone Booster™ enables heavy duty cleaning in specified areas for heavily soiled pots and pans. • AutoRelease™ improves drying performance up to 35% by releasing steam. • Large capacity - holds up to 14 place settings. • 7 individual programs plus options enables optimal cleaning methods. • Cutlery rack maximizes space for dishes.

TECHNICAL DETAILS	
Capacity (Place Settings)	14
Energy Star Certified	Yes
Annual Consumption (kWh/yr)	239
Water Consumption (gallons/cycle)	3.2
Noise Level (dBA)	44
Cycle Time (min) - Normal Cycle	114-150
Heater Watts	1100
Circuit Breaker (A)	15
Volts (V)	120
Frequency (Hz)	60
Energy Source	Electric
DIMENSIONS	
Appliance Dimensions (H x W x D) (in.) (DDW24T998US)	32 1/4 - 35 1/2" x 23 7/12" x 22 13/16"
Appliance Dimensions (H x W x D) (in.) (DDW24T999BB)	32 1/4 - 35 1/2" x 23 7/12" x 21 7/12"
Cutout Dimensions (H x W x D) (in.)	32 1/3" - 34 3/4" x 23 3/4" x 23 3/4"
WARRANTY	
Limited, Parts and Labor	1 Year

DDW24T99
24-INCH DISHWASHER
HERITAGE COLLECTION



APPLIANCE DIMENSIONS



Custom door dimensions - 23 2/5" W
26 2/5" H (min.)
28 2/5" H (max)*

*29 1/2" Maximum if door thickness is less than 3/5"

CUTOUT DIMENSIONS

