

DOC30M977D

30-INCH COMBI WALL OVEN

MODERNIST, SILVER STAINLESS STEEL/GRAPHITE STAINLESS STEEL



GENERAL PROPERTIES - OVEN

Cooking Modes - Lower Cavity
 Bake - Broil - Convection Bake - Convection Roast - Convection Broil - Four Part Pure Convection - Pure Convection Sear - Steam Bake - Steam Roast

GENERAL PROPERTIES - MICROWAVE

Cooking Modes - Upper Cavity
 Broil - Convection Sear (Power Convection) - Speed Convection Sear - Speed Broil

FEATURES

Type	Combination Microwave/Oven
Soft Close Door (Oven)	SoftShut™
Lighting	BrightVue™ and RadiantVue™

ADDITIONAL FEATURES - OVEN

Cleaning Type	Self Clean GreenClean™
Oven Type	Combination
Installation	Flush
Controls	7" LCD
Wi Fi	Yes (Remote Enabled)
Convection Type	Four Part Dual Pure Convection
Oven Colors	Silver Stainless Steel Graphite Stainless Steel

OVEN PERFORMANCE

Bake Element	3,000W - 8 pass
Broil Element	4,400W - 10 pass

CONTROL FEATURES - OVEN

Wi Fi On/OFF	Yes
Language Options	Yes
Clock	Yes (12 HR/24 HR)
Delay Start	Yes
Kitchen Timer	Yes
Sabbath Mode	Yes
Lamp On/Off	Yes
Child Lock	Yes
Sound	Yes
Options	Yes
Energy Saving	Yes
Demo Mode	Yes

CONTROL FEATURES - MICROWAVE

Clock	Yes (12 HR/24 HR)
Kitchen Timer	Yes
Lamp On/Off	Yes
Child Lock	Yes
Sound	Yes
Wi Fi	Yes (Monitor Only)

AVAILABLE MODELS

- DOC30M977DM - Graphite Stainless Steel
- DOC30M977DS - Stainless Steel

FEATURES & BENEFITS

- Available in graphite stainless steel and silver stainless steel.
- Exclusive Four Part Dual Pure Convection Oven - heat, air, baffle and filter to precisely distribute heat for superior cooking results.
- Steam and Convection Oven - the power of steam assist and convection cooking in one.
- The convenience of Microwave Convection.
- Large oven capacity: Microwave 1.9 cu. ft. / Oven 4.8 cu. ft.
- BrightVue™ oven lighting (LED + Halogen Lights)
- RadiantVue™ microwave lighting (LED + Metal Mesh)
- 7" LCD control panel
- Dacor iQ Kitchen app with integrated Wi-Fi to control and monitor remotely.
- Flush installation.

ACCESSORIES (INCLUDED)

Glide Racks	2
Standard Racks	1
Temperature Probe	1
Automatic Water Reservoir	1
Turn Table (OptiTray™)	1
Microwave Wire Rack	1
EvenPlate™	1

ACCESSORIES (OPTIONAL)

Cookie Sheets (Set of 3)	ACSM303
--------------------------	---------

DOC30M977D

30-INCH COMBI WALL OVEN

MODERNIST, SILVER STAINLESS STEEL/GRAPHITE STAINLESS STEEL



ADDITIONAL MODES - OVEN	
Keep Warm	Yes
Proof (lower temp)	Yes
Proof	Yes
Pizza Stone Mode	Yes
Dehydrate	Yes
Gourmet Cook	Yes
InstantHeat™	Yes
Temperature Probe	Yes
ADDITIONAL MODES - MICROWAVE	
Add 30 Seconds	Yes
Defrost	Yes
Auto Cook (No Sensor)	Yes
Sense Cook™ (Sensor Cook)	Yes
Convection Sear Auto Cook	Yes
Healthy Fry (Slim Fry)	Yes
Healthy Choice (Fit Choice)	Yes
TECHNICAL DETAILS - OVEN	
Circuit Breaker (A)	40
Volts (V)	240 / 208
Frequency (Hz)	60
Energy Source	Electric
TECHNICAL DETAILS - MICROWAVE	
Power Level	950W
DIMENSIONS & WEIGHT - MICROWAVE/OVEN	
Appliance Dimensions (H x W x D) (in.)	28 3/4" x 43 1/4" x 24 13/32"
Required Cutout Size (H x W x D) (in.)	28 1/2" x 41 9/10" x 23 1/2"
Oven Capacity (cubic feet)	4.8
Microwave Capacity (cubic feet)	1.9
WARRANTY	
Limited, Parts and Labor	1 Year

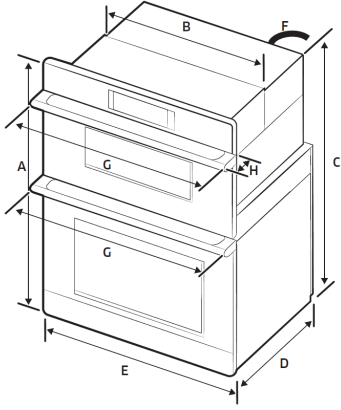
DOC30M977D

30-INCH COMBI WALL OVEN

MODERNIST, SILVER STAINLESS STEEL/GRAPHITE STAINLESS STEEL

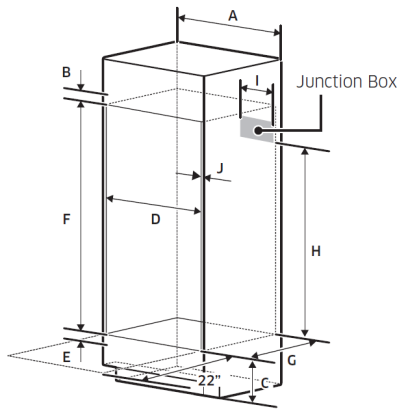


APPLIANCE DIMENSIONS



	30"	
A	41 3/8" (110.2cm)	Overall height
B	28 1/2" (72.4cm)	Recessed width
C	42" (106.7cm)	Recessed height
D	23 1/8" (58.7cm)	Recessed depth
E	29 3/4" (75.6cm)	Door width
F	67" (170cm)	Conduit length
G	30" (76.2cm)	Overall width (Handle width)
H	2 1/2" (5.6cm)	Handle Depth

STANDARD CABINET DIMENSIONS

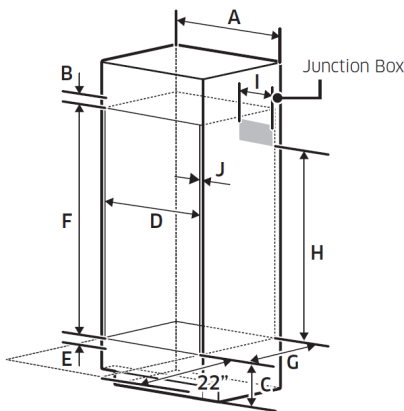


Allow a minimum of 22" for clearance to adjacent corners, drawers, walls, etc. when door is open

STANDARD CABINET DIMENSIONS

A	30" (76.2cm)
B	Min. 1 3/16" (3.0cm)
C	12" (30.5cm)
D	Min. 28 1/2" / Max. 28 5/8" (Min. 72.4cm / Max. 72.7cm)
E	Min. 1" / Max. 1 1/4" (Min. 2.5cm / Max. 3.2cm)
F	42 1/5" (107.2cm)
G	Min. 23 1/2" (Min. 59.7cm)
H	Min. 30 1/2" (Min. 77.5cm)
I	Max. 9 1/2" (Max. 24.1cm) - Junction Box
J	Min. 11/16" (1.75cm) - Wooden cabinet thickness

FLUSH CABINET DIMENSIONS



Allow a minimum of 22" for clearance to adjacent corners, drawers, walls, etc. when door is open

FLUSH CABINET DIMENSIONS

A	Min. 30 1/5" / Max. 30 3/10" (Min. 76.6cm / Max. 76.9cm)
B	Min. 1 3/16" (3.0cm)
C	12" (30.5cm)
D	Min. 30 1/5" / Max. 30 3/10" (Min. 76.6cm / Max. 76.9cm)
E	Min. 1" / Max. 1 1/4" (Min. 2.5cm / Max. 3.2cm)
F	43 11/16" (110.9cm)
G	Min. 24 4/5" (Min. 63cm)
H	Min. 30 1/2" (Min. 77.5cm)
I	Max. 9 1/2" (Max. 24.1cm) - Junction Box
J	Min. 11/16" (1.75cm) - Wooden cabinet thickness