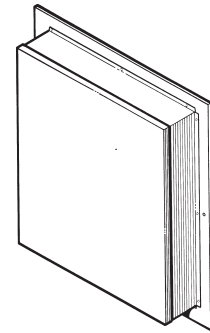


MODELS EB6 & EB9 EXTERNAL BLOWERS



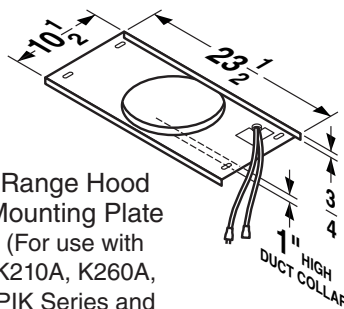
Use this high-powered ventilator to quietly and efficiently exhaust airborne contaminants from cooking and living space.

FEATURES:

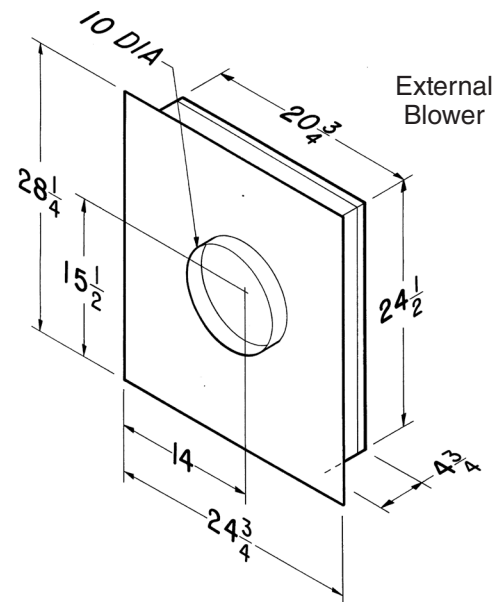
- Brushed aluminum construction
- Built-in flashing plate for roof or wall mount
- Built-in backdraft damper and birdscreen
- Easily removable cover provides quick access to blower for cleaning and servicing
- For 10" round duct – range hood mounting plate included
- Thermally protected, permanently lubricated motor
- Speed control compatible motor
- Neoprene resilient anti-vibration mounted motor
- Dynamically balanced 10³/₄" diameter blower wheel
- Low RPM - quiet operation
- For use with Best hoods and downdrafts designed to use external blowers

TYPICAL SPECIFICATION

Ventilator shall be a Best Model EB6 (Best Model EB9). Ventilator shall be roof (exterior wall) mountable with a 10" round duct connector. Ventilator shall be of aluminum construction. Ventilator shall include an automatic backdraft damper. Air delivery shall be no less than 600 CFM (Model EB6), 900 CFM (Model EB9), as certified by HVI.



Range Hood Mounting Plate (For use with K210A, K260A, PIK Series and WP29M hoods.)



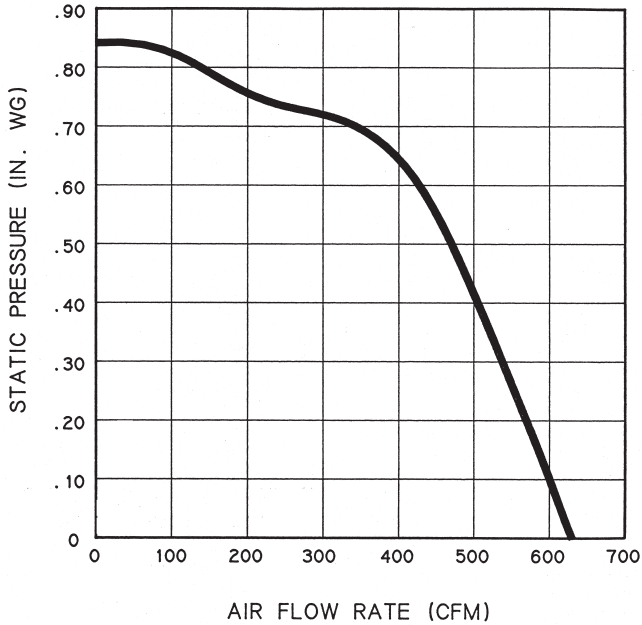
Best Hartford, Wisconsin www.BestRangeHoods.com 800-558-1711

REFERENCE	QTY.	REMARKS	Project	
			Location	
			Architect	
			Engineer	
			Contractor	
			Submitted by	Date

SPECIFICATIONS & PERFORMANCE - Models EB6 & EB9

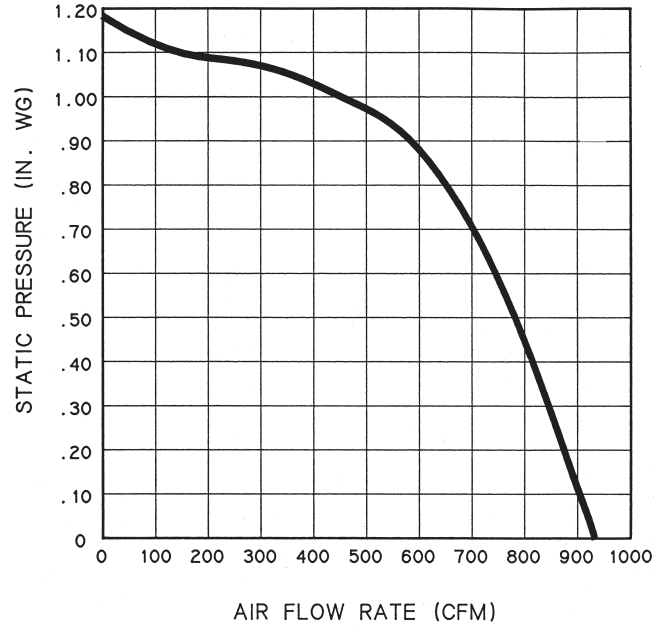
MODEL EB6

VOLTS	AMPS	CFM	DUCT
120	2.4	600	10" Round



MODEL EB9

VOLTS	AMPS	CFM	DUCT
120	5.7	900	10" Round



HVI-2100 CERTIFIED RATINGS comply with new testing technologies and procedures prescribed by the Home Ventilating Institute, for off-the-shelf products, as they are available to consumers. Product performance is rated at 0.1 in. static pressure, based on tests conducted in a state-of-the-art test laboratory. Sones are a measure of humanly-perceived loudness, based on laboratory measurements.

