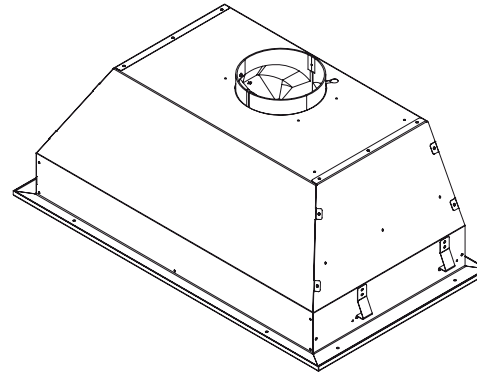
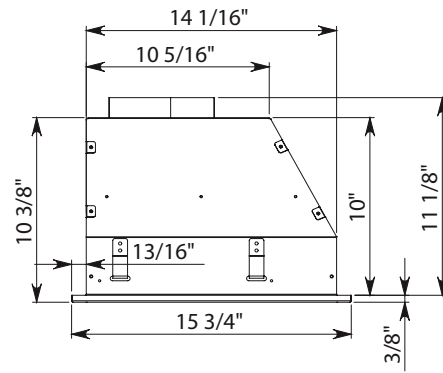
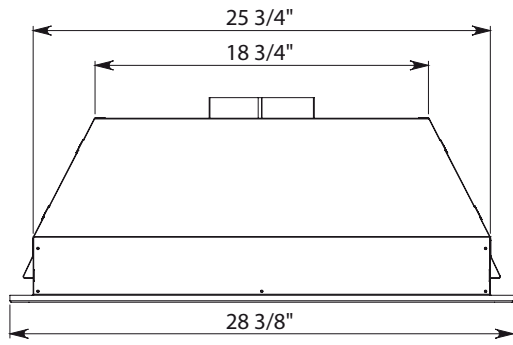


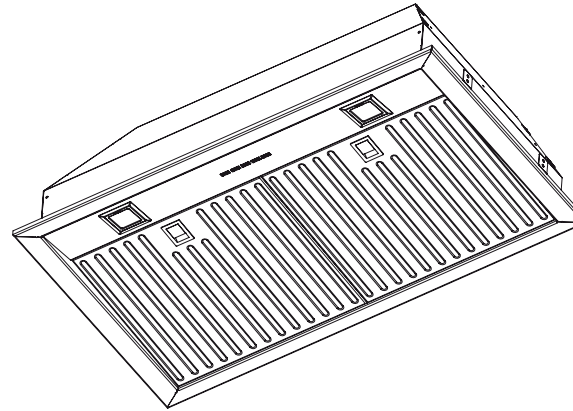
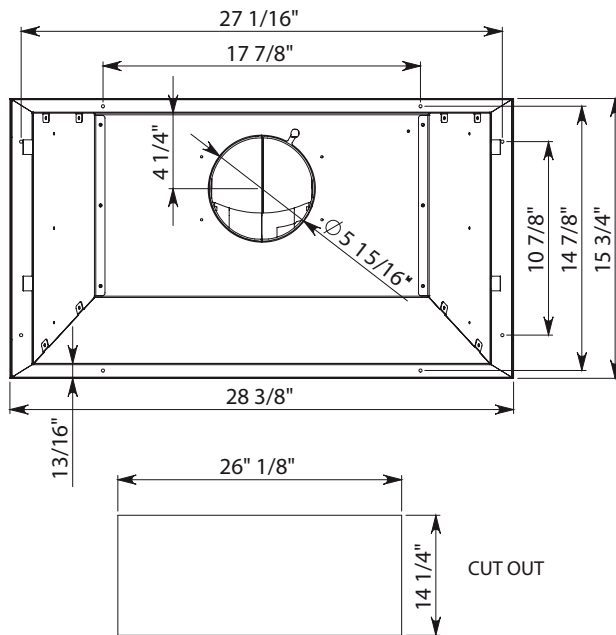
# FULGOR MILANO

Hoods Insert 400 SERIES

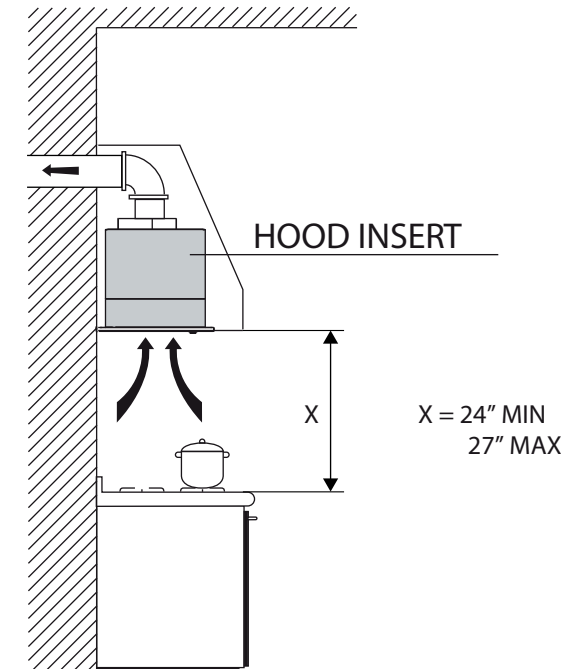
Weight & Dimensions



PACKAGING DIMENSION	28"	
	cm	inches
WIDTH	80,5 cm	31 3/4"
DEPTH	48 cm	19"
HEIGHT	35 cm	13 3/4"



WEIGHT	28"	
	lb (Kg)	
GROSS WEIGHT	33 (15)	
NET WEIGHT	28,7 (13)	



# FULGOR

## MILANO

**400 Series 30" Insert Hood**

**F4BP28S1**

**BAR CODE (EAN 13)**

**8019801016068**

<b>Series</b>	<b>400</b>
Type	Insert
Size	28"
Colour	stainless steel
<b>PERFORMANCES</b>	
OUTPUT (CFM)	600
OUTPUT (m3/h)	1000
NOISE	72
<b>MOTOR &amp; CONTROLS</b>	
CONTROL	4 speed mechanical control
VENTING TYPE	Ducted and recirculating
<b>FEATURES</b>	
FILTER	Baffle
LIGHTING	2 x1,2 w Led
DUCT SPECIFICATION	5 15/16 - 15 cm
<b>DOCUMENTATION</b>	
APPROVALS	cCSAus
<b>Dimensions/Weight</b>	
Overall dim - width	28 3/8" - 72 cm
Overall dim - height	10 3/8" -27 cm
Overall dim - depth	15 3/4" -40 cm
Cut out (wxd)	26 1/8"x 14 1/4"
Gross (Net) weight (kg)	15 (13)
<b>Power / Ratings (115 V, 60 Hz)</b>	
KW rating	430W
Power cord + Plug	yes
<b>INSTRUCTIONS FOR USE</b>	
Use & Care Manual	EN, FR, SP
Installation Manual	EN, FR, SP