

GTW500ASN

GE® 4.6 DOE Cu. Ft. Capacity Stainless Steel Basket Washer

DIMENSIONS AND INSTALLATION INFORMATION (IN INCHES)

CIRCUIT REQUIREMENTS: An individual, properly-grounded branch circuit, with a three-prong grounding-type receptacle, protected by a 15 or 20 amp circuit breaker or a time-delay fuse, is required.

ELECTRICAL RATING:

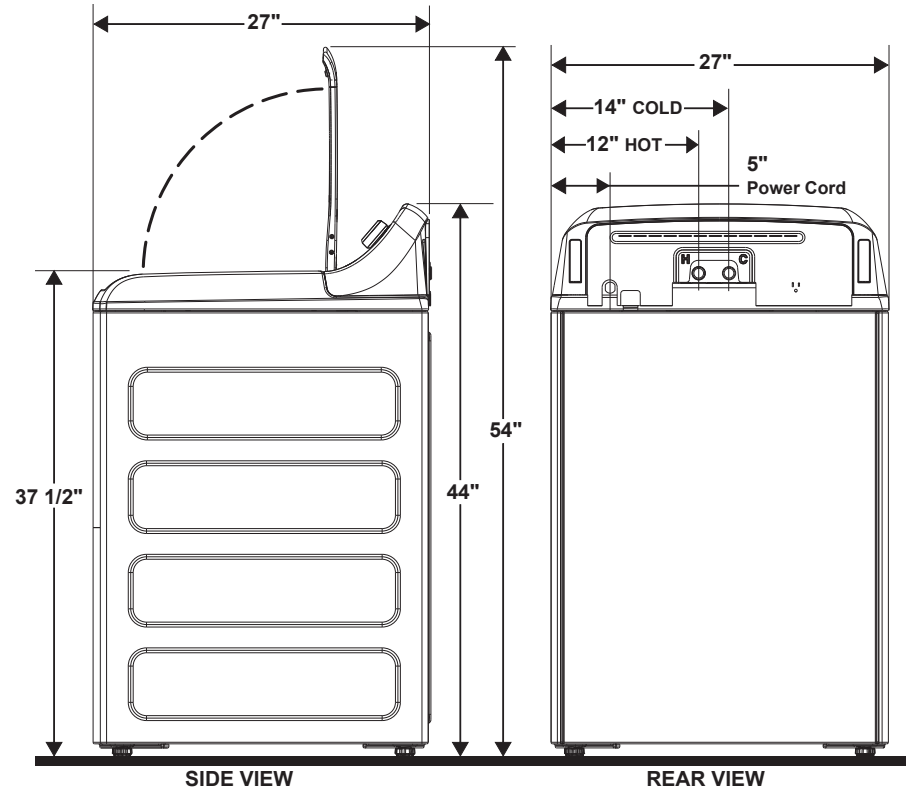
120V, 60Hz, 10A

WASHER NOTE:

Washer wall outlet must be located within 36" of service cord entry. Wall outlet must not be located behind dryer.

INSTALLATION INFORMATION:

Before installing, consult installation instructions packed with your washer.



For answers to your Monogram, GE Café™ Series, GE Profile™ Series or GE Appliances product questions, visit our website at geappliances.com or call GE Answer Center® Service, 800.626.2000.



Specification Created 1/19

GTW500ASN

GE® 4.6 DOE Cu. Ft. Capacity Stainless Steel Basket Washer

FEATURES AND BENEFITS

Stain PreTreat – Easily remove four common stains with preprogrammed settings that do the work for you.

Deep Clean Cycle – Achieve the ultimate deep clean for your toughest laundry loads with 67% more cleaning power than the most commonly used cycle*. *Colors, Normal cycle

Deep Fill – Enjoy total control and customization of your water levels with the touch of a button that lets you add just a little extra water or fill the tub.

Speed Wash – Save time when you're in a hurry with a quick wash for lightly soiled items.

Deep Rinse – Ensure clothes are thoroughly rinsed free of detergent, fabric softener and other additives.

2nd Rinse – Ensure removal of detergent, bleach and other additives with an optional extra rinse after the wash cycle.

Efficient Infusor – Optimize energy efficiency without sacrificing wash performance.

ENERGY STAR® Qualified – Meets or exceeds federal guidelines for energy efficiency for year-round energy and money savings.

Made in America – This appliance is made in America and contains 70 to 90% U.S. content.

5 Soil Levels – Take full control of your wash cycle with five soil levels to choose from.

13 Wash Cycles – Choose from 13 wash cycles to accommodate any load type.

6 Water Temperatures – Pick the water temperature you prefer and wash your way.

Model GTW500ASNWS – White with silver backslash

