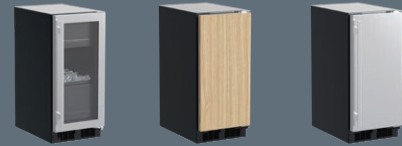


Fresh Living Tip

Expert bartenders insist that ice is the most important ingredient in making a great cocktail and choosing the right kind can make or break your drink. The purer the ice, the better a drink will taste as the ice melts. And, clarity is the best indicator for purity, as is the case with the Marvel Clear Ice Machine, considered the clearest, most pure ice available for residential use.

FINISH OPTIONS



15" Marvel Clear Ice Machine

MLCP215/ MLCL215

Performance

- Discretely quiet operation with Silent Mode option
- Engineered to consistently produce pure, clear ice with exquisite clarity
- Uniform 3/4" ice cube size
- Produces up to 39 pounds of clear ice daily
- Large-capacity bin stores up to 28 pounds of clear ice, while preserving quality and assuring fresh ice production
- Ice scoop holder included with dedicated holder
- Thermal-efficient cabinet insulates cooling environment and ensures optimum energy efficiency while maximizing capacity

Convenient Controls

- Integrated controls feature convenient settings and programmability
- Audible alerts, cleaning reminders and Sabbath Mode
- Silent Mode automatically postpones operation by 3 hours

Fit & Finish

- Luminous arctic white LED light
- Elegant midnight black monochromatic interior
- Glass door option highlights clear ice
- Easy to clean - inside and out
- Reversible door allows for right or left swing for adaptable installation
- Black toe kick adjustable to 4" with leveling legs
- Designed for simple installation with angled commercial cord design

Warranty

- 1-year parts and labor warranty and 5-year sealed system parts warranty



Much like a fine chocolatier slowly tempers chocolate to a solid state for the best quality and flavor, Marvel Clear Ice employs a fractional freezing process to create high-density, slow-melting ice with the ultimate clarity and purity. As water runs over the cold plate, pure water freezes first. Dissolved solids are carried away into the water reservoir, giving you crystal-clear ice that cools your drinks without affecting the flavor.

DOOR STYLE	PUMP	MODEL NUMBER
Stainless Steel Frame Glass	Yes	MLCP215-SG01B
Stainless Steel Frame Glass	No	MLCL215-SG01B
Solid Panel Ready	Yes	MLCP215-IS01B
Solid Panel Ready	No	MLCL215-IS01B
Solid Stainless Steel	Yes	MLCP215-SS01B
Solid Stainless Steel	No	MLCL215-SS01B



Reversible door

Produces 39 lbs clear ice

Thermal-efficient cabinet

Digital controls with Silent Mode and cleaning alert

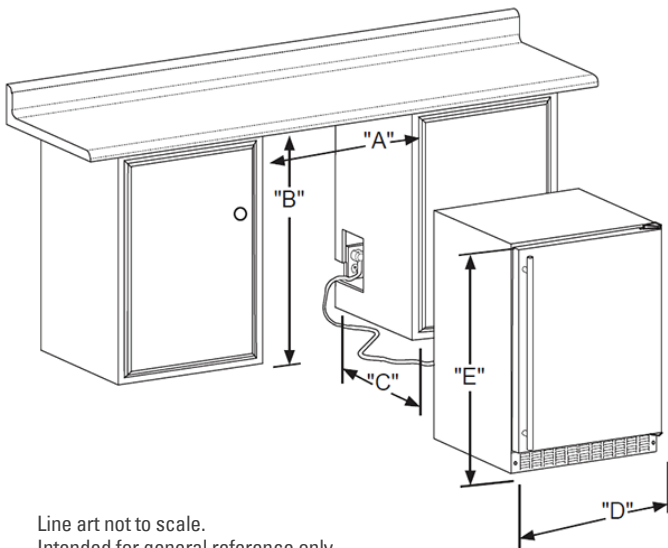
Easy cleaning access

Illuminice arctic white lighting

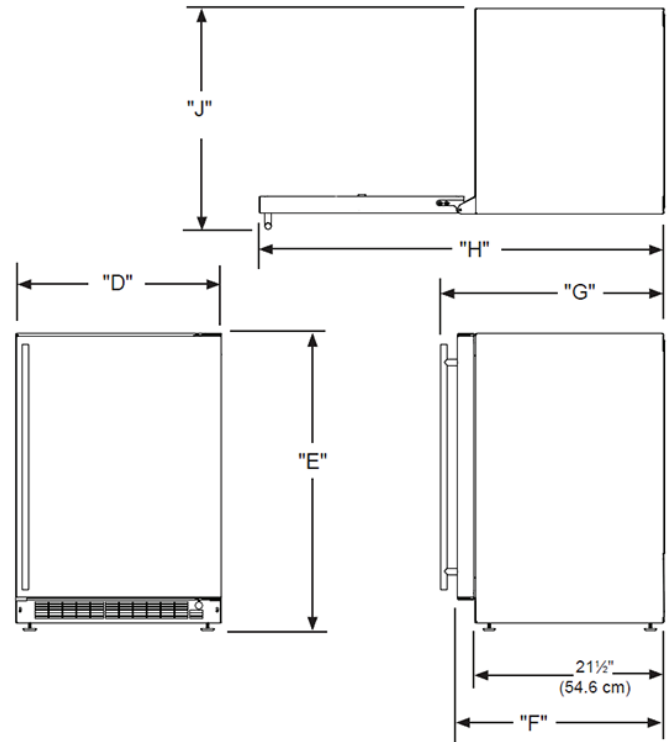
28 lbs clear ice storage



H: 33 3/4" W: 14 7/8" D: 26 7/32" (with handle)



Line art not to scale.
Intended for general reference only.



Rough In Dimensions*

"A"	"B"	"C"
15"	34-1/4" TO 35-1/4"	24"
(38.1 CM)	(87 CM TO 89.5 CM)	(61 CM)

Cabinet Dimensions*

"D"	"E"	"F"	"G"	"H"	"J"
14-7/8"	33-5/8" TO 34-5/8"	23-5/8"*	25-3/8"*	38-3/4"*	17-1/2"*
(37.8 CM)	(85.4 CM TO 87.9 CM)	(60 CM)	(64.4 CM)	(98.4 CM)	(44.4 CM)

*Stainless steel model dimensions only. For panel-ready models, see the owner's guide online at marvelrefrigeration.com.

Capacity 28 lbs
Control Type Electronic
Sabbath Mode Yes
Handle Style Slim (handle not included on panel-ready models)
Hinge Type Reversible
Interior Lighting White LED
Toe Grille Finish Black

Electrical Requirements 115V / 60 Hz / 15A
Cord Length 6 FT.
Shipping Dimensions 19" W x 31" D x 37"
Shipping Weight H 125 LBS
Agency Approval UL
Refrigerant Type R600a

For comprehensive installation instructions, including panel overlay details, please visit marvelrefrigeration.com to access the owner's guide.

