

PEM31DF

GE Profile™ Series 1.1 Cu. Ft. Microwave Oven

Dimensions and Installation Information (in inches)

Exterior Dimensions* (in inches)	
W x H x D	23-25/32 x 11-3/16 x 12-9/32

*Height includes feet. Depth does not include handle.

Built-In trim kit for 1.0 cu. ft. microwave ovens

For a custom built-in appearance, this kit allows built-in installation of the Spacemaker II microwave oven into a wall or cabinet alone, and is U. L. approved for installation over a GE single electric wall oven.

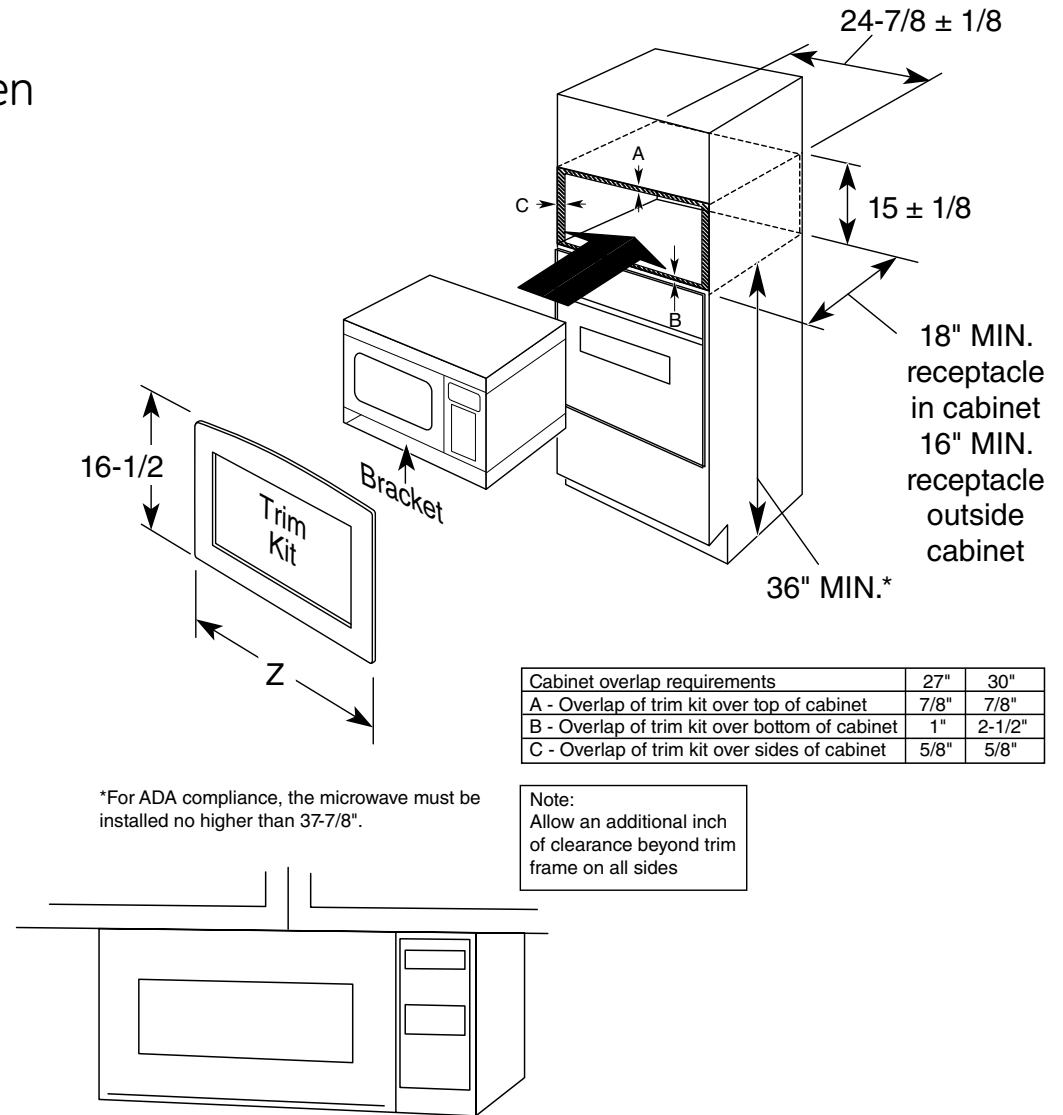
Accessory trim kit	"Z"	Max height	Trim kit
27" Deluxe	27-7/8"	16-1/2"	JX827DFWW/BB
30" Deluxe	29-7/8"	16-1/2"	JX830DFWW/BB

Installation Information: This information is not intended to be used for installing unit described. Before installing, consult installation instructions packed with product for current dimensional data.

Note: Undercabinet Installation

Install Spacemaker II microwave ovens in just a few easy steps with the mounting template, which provides all the necessary measurements. Installation may vary depending on cabinets. These microwave ovens can be installed on practically any wood or metal cabinets.

Note: 120V, 60-cycle, grounded power receptacle location optional on back within cabinet opening.



Not to be used over a thermal oven.

Undercabinet mounting kit Pub. No. JXA019K for Spacemaker II microwave oven models available at additional cost.



imagination at work

For answers to your Monogram® or GE appliance questions, visit our website at geappliances.com or call GE Answer Center® service, 800.626.2000.



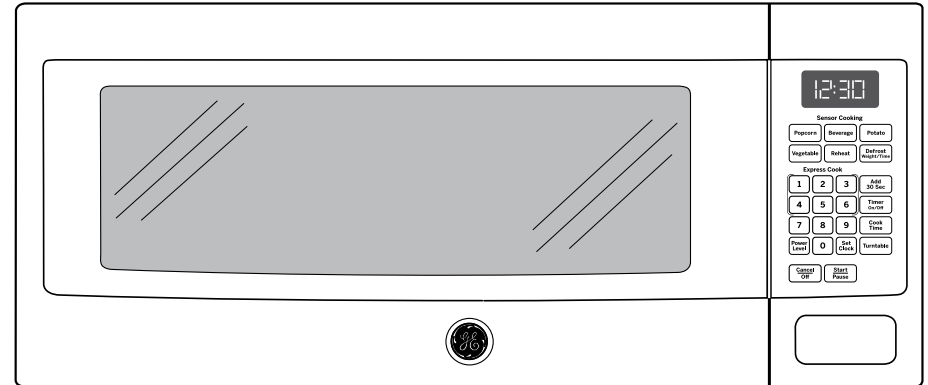
Listed by Underwriters Laboratories

PEM31DF

GE Profile™ Series 1.1 Cu. Ft. Microwave Oven

Features and Benefits

- 1.1 cu. ft. capacity - 800 Watts (IEC-705 test procedure)
- Sensor cooking controls - Automatically adjusts time and power
- Optional built-in trim kit - Custom appearance and built-in convenience
- Optional hanging kit - Frees up counter space
- Auto and time defrost - Defrosting times and power levels are programmed automatically or manually for optimal results
- Turntable on/off - Controls turntable operation
- Control lockout - Helps prevent accidental activation
- Add 30 seconds - Add 30 seconds of microwave cooking time
- Kitchen timer - Minute timer helps keep you on track
- Timer on/off - Minute timer helps keep you on track
- Model PEM31DFWW – White
- Model PEM31DFCC – Bisque
- Model PEM31DFBB – Black



imagination at work



Listed by
Underwriters
Laboratories