

# PT9800SH

## GE Profile™ Series 30" Combination Double Wall Oven with Convection and Advantium® Technology

### Dimensions and Installation Information (in inches)

**Note:** Cabinets installed adjacent to wall ovens must have an adhesion spec of at least a 194°F temperature rating.

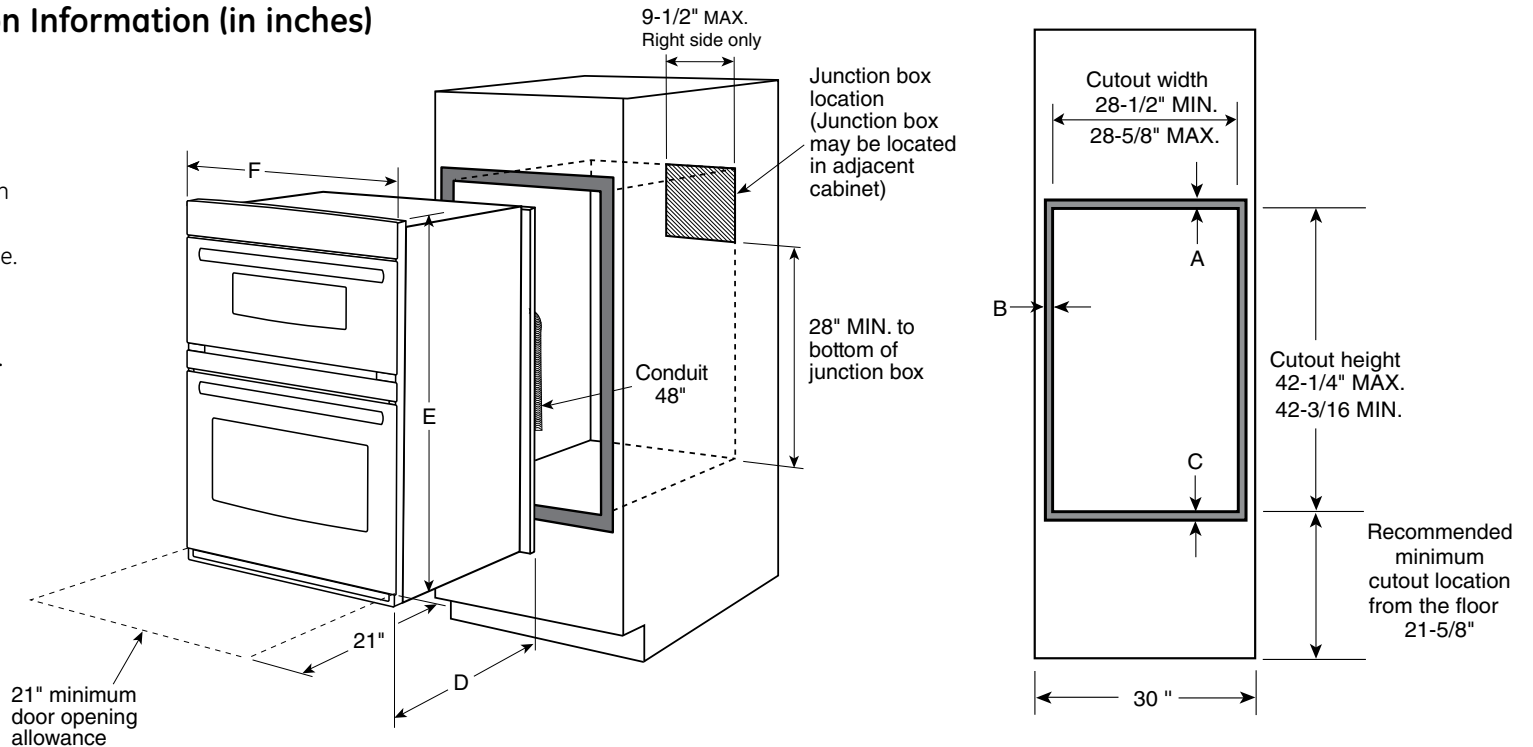
**Installation Information:** Before installing, consult installation instructions packed with product for current dimensional data.

Door handle protrudes 3" from door face. Cabinets and drawers on adjacent 45° and 90° walls should be placed to avoid interference with the handle.

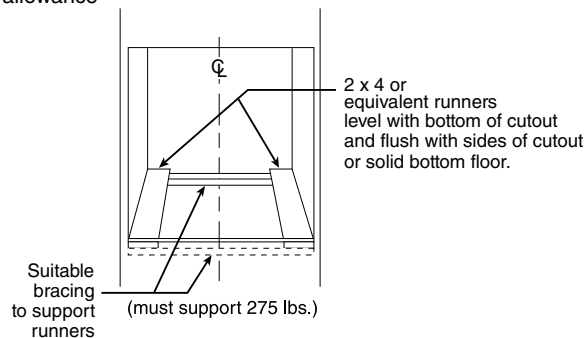
**Electric wall ovens are not approved for installation with a plug and receptacle. They must be hard wired in accordance with installation instructions.**

**Note:** These ovens are not approved for stackable or side-by-side installations.

KW Rating	
240V	7.6
208V	5.7
Breaker Size	
240V	40 Amps
208V	40 Amps



21" minimum door opening allowance



**ATTENTION INSTALLER:** All electric wall ovens must be hard-wired (direct-wired) into an approved junction box. A plug and receptacle is NOT permitted on these products.

**NOTE:** If the cabinet does not have a solid bottom, two braces or runners must be installed to support the weight of the oven. For single ovens, the runners and braces must support 200 lbs (91 kg). For double ovens, the runners and braces must support 375 lbs. (170 kg).

**NOTE:** If marks, blemishes or the cutout opening are visible above the installed oven, it may be necessary to add wood shims under the runners and front trim until the marks or opening are covered.

**NOTE:** If the cabinet does not have a front frame and the sides are less than 3/4" (1.9 cm) thick, shim both sides equally to establish the cutout width.

**CT9800  
PT9800  
JT7800  
JT3800**

Cabinet	30"
A – Overlap of oven at top of cutout	1"
B – Overlap of oven over side of edges of cutout	11/16"
C – Overlap of oven at bottom of cutout	1-1/4"
Oven	
D – Overall depth with handle	27"
Overall depth without handle	23-1/2"
E – Overall height with trim	44"
F – Overall width	29-3/4"



imagination at work

For answers to your Monogram® or GE® appliance questions, visit our website at [geappliances.com](http://geappliances.com) or call GE Answer Center® service, 800.626.2000.



Listed by Underwriters Laboratories

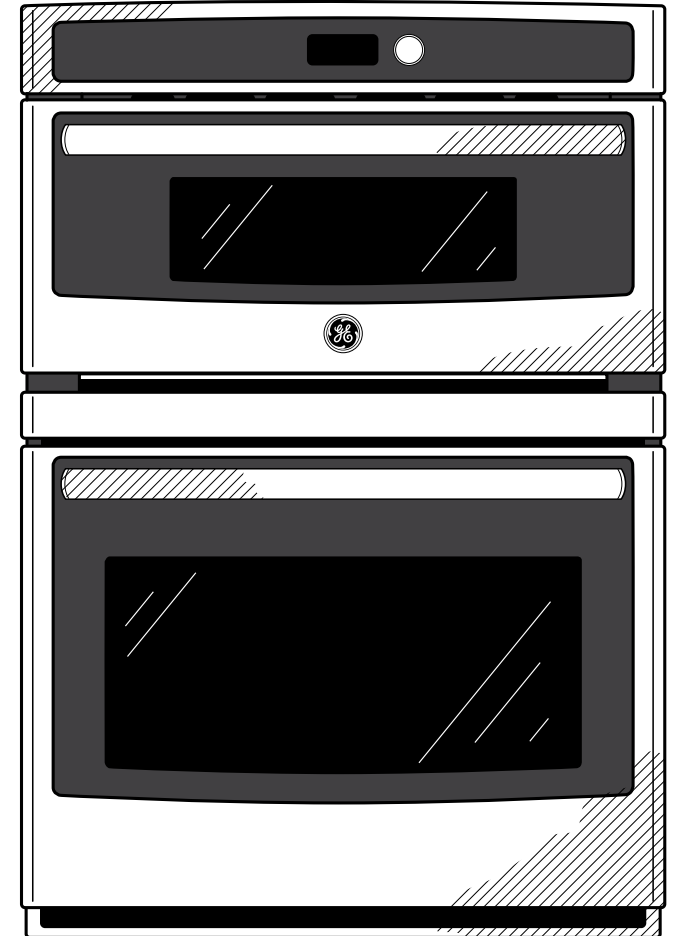
Specification Revised 7/14

# PT9800SH

## GE Profile™ Series 30" Combination Double Wall Oven with Convection and Advantium® Technology

### Features and Benefits

- Speedcook oven 120V (upper oven) - Enjoy oven-quality results two to four times faster than a conventional oven
- Multiple cooking functions (upper oven) - Expand your cooking versatility with an all-in-one oven
- Halogen heat (upper oven) - Skip the preheating with nearly instantaneous halogen heat
- Over 175 preprogrammed menu selections (upper oven) - Preprogrammed selections make meals easy
- True European convection (lower oven) - Achieve delicious results from a third heating element and fan combination
- Self-clean with steam clean option (lower oven) - Clean your oven the way you want
- Self-clean heavy-duty oven racks (lower oven) - Conveniently clean your oven and racks together
- Glass touch controls - Set temperatures quickly and clean with little effort
- Ten-pass bake element (lower oven) - Even baking is assured with heat that covers more surface area
- Eight-pass broil element (lower oven) - Get full broil coverage and even browning from edge to edge
- Model PT9800SHSS – Stainless steel



imagination at work