

## 18" Built-In Dishwasher

QDT125SSL

Available Q1 2018



### Unit Specifications

Width	17 3/4"
Depth	23 1/2"
Height	32 1/2"
Weight	71 lbs.

### More Easy-To-Use Features

- Sanitize (NSF Certified)
- WiFi capable
- 47 dBA

### Available Finishes

	Stainless Steel QDT125SSLSS
---	--------------------------------

### Signature Features

#### ADA Compliant with Low-Profile Installation

Great for 34" counter top heights and raised subfloors

#### 3 Level Wash

Powerful wash arms enable exceptionally clean dishes

#### Autosense Cycle

Ideal cycle time adjusted based on soil levels and water temperature

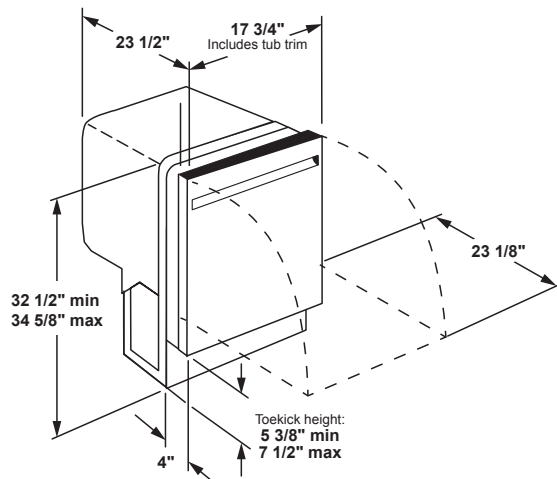
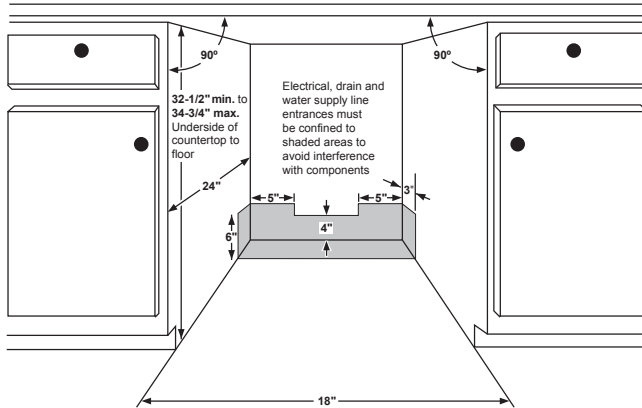
#### PIRANHA Hard Food Disposer with Removable Filter

A stainless steel blade pulverizes food particles at 3600 RPM to ensure consistently clean items

### Power Requirements

Electrical Rating	120V,60Hz,8.9A
-------------------	----------------

### Product Technical Illustration



### General Appliance Information

Please read all installation details and instructions before use.

### Contact Us

For questions regarding this product please refer to our website at [haieramerica.com](http://haieramerica.com) or call our customer service center at 877-337-3639.

