

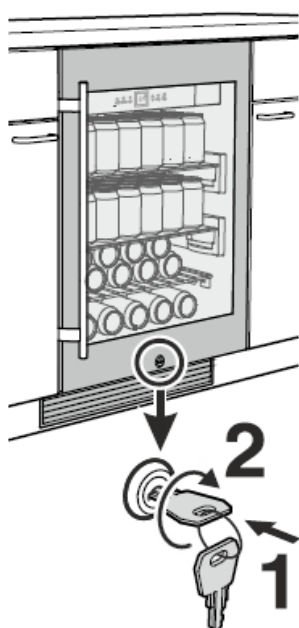
## RU 510 Grand Cru

### 24" Built-In Beverage/Cooler

Liebherr's sleek beverage center chills every drink to perfection and allows them to be kept close at hand in any kitchen, bar, or entertainment area. Whether you are entertaining a large group or having a quiet family night at home, the new RU 510 has an amazing capacity as well as superior storage capabilities—all set within the framework of a sophisticated design that blends beautifully with any decor. This contemporary unit features a glass door for a clear view and an elegant stainless steel frame that can also accommodate a custom panel, if desired. The unit offers storage flexibility with two glass storage shelves with stainless steel trim, plus a convenient split shelf for taller items and a pullout metal rack. The electronic control system is situated at the top of the interior and is visible through the glass door. The temperature can be set from +37 °F to +68 °F. The cabinet includes a lock for protection.



#### Security Lock



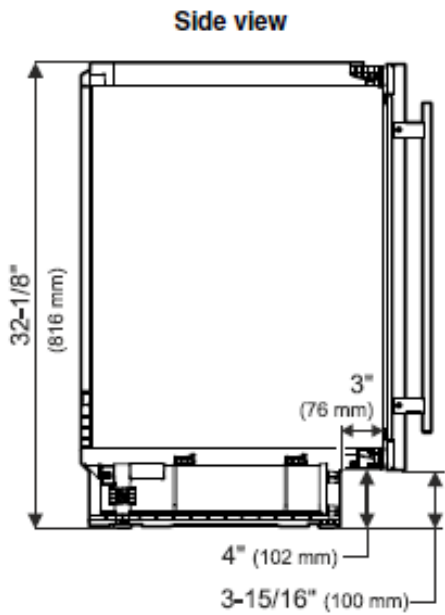
Left Appliance

<b>Capacity</b>	
Refrigerator Compartment	110 liters /3.9 cu. ft.
Climate rating	SN-T 10°C to 43°C(50°F to 110°F)
Power	115v at 60hz 2.5 amps / 300 watt
Shipping Weight	128 lbs. / 58 kg
Refrigerator Door	Right Hand Reversible
Interior light	LED
Glass Shelves Adjustable	2
Wire shelf	1 Pull out
Lock	Yes
Refrigerant - Non HFC	R600a



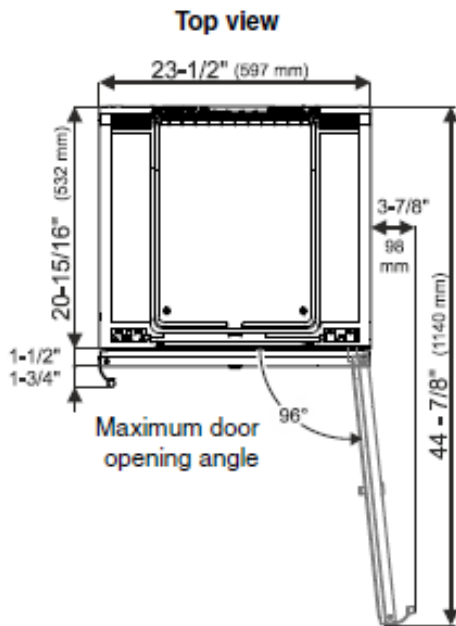
THIS IS A QUICK REFERENCE GUIDE FOR **RU 510**, FOR COMPLETE INSTRUCTIONS, PLEASE REFER TO THE DESIGN GUIDE OR VISIT <http://www.liebherr-appliances.com>

## Appliance Dimensions

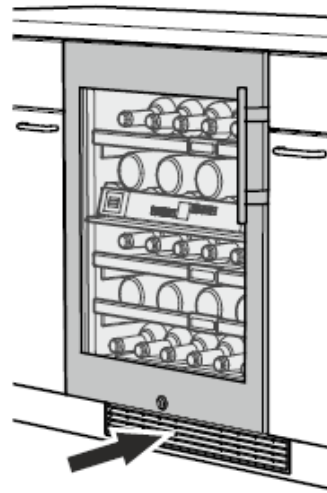
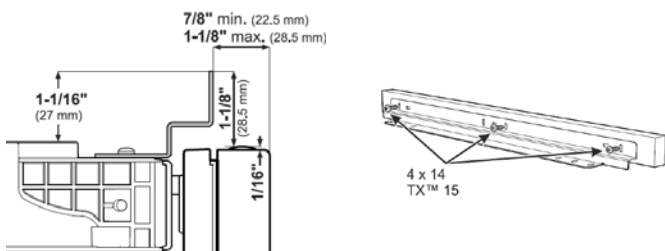


Height when adjustable feet have been screwed in as far as they will go.

**Maximum height adjustment = 2" (51 mm)** to allow for a 6" (153 mm) toe kick.

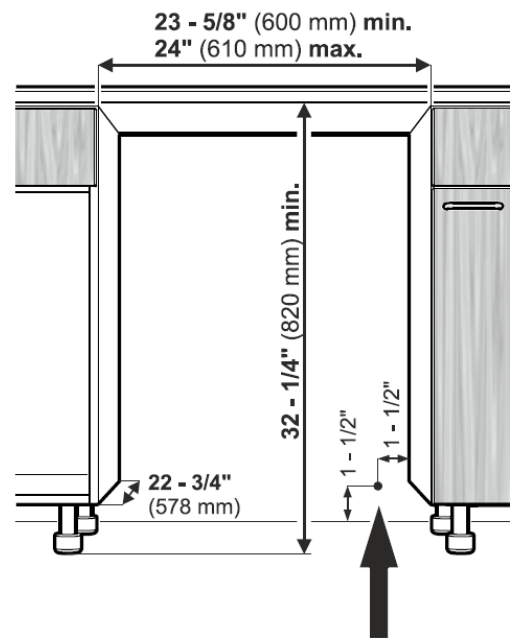


A filler strip can be used to increase the height of the appliance to match cabinetry . Bracket is included .



**Keep ventilation openings, in the appliance enclosure or in the built-in structure, clear of obstruction.**

### Opening dimensions



This is where the power cord extends from the back of the appliance.

The Bottom Ventilation Grill fits in a cut out in the toe kick trim.

