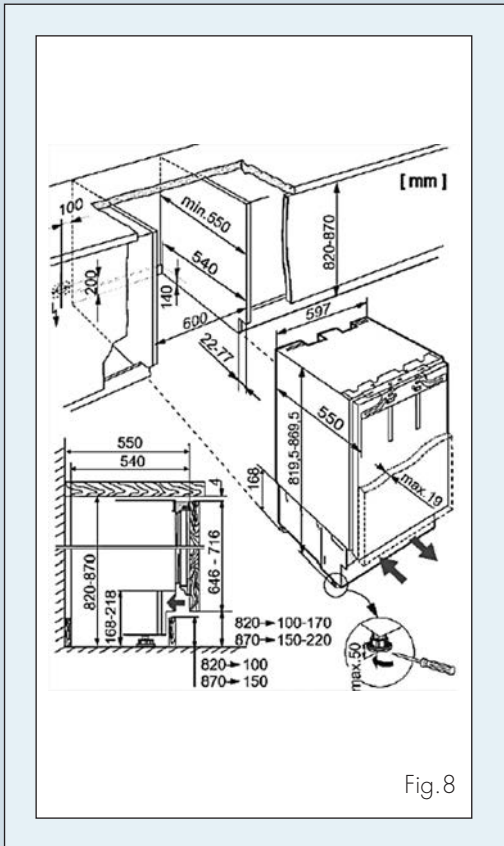
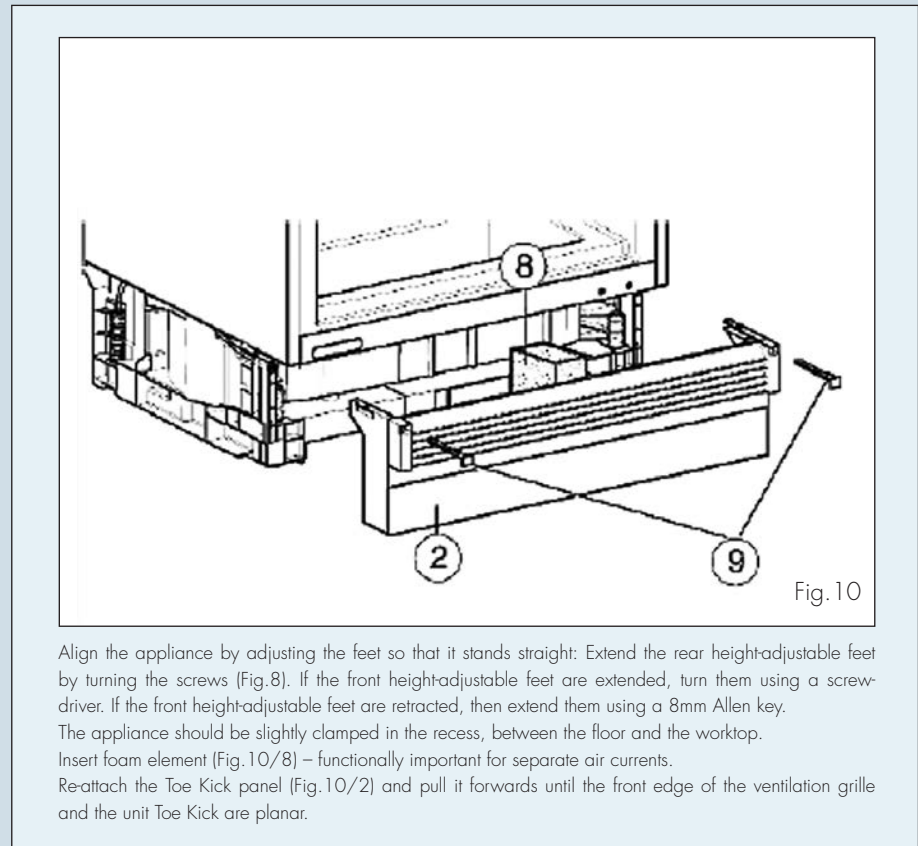


Diagrams

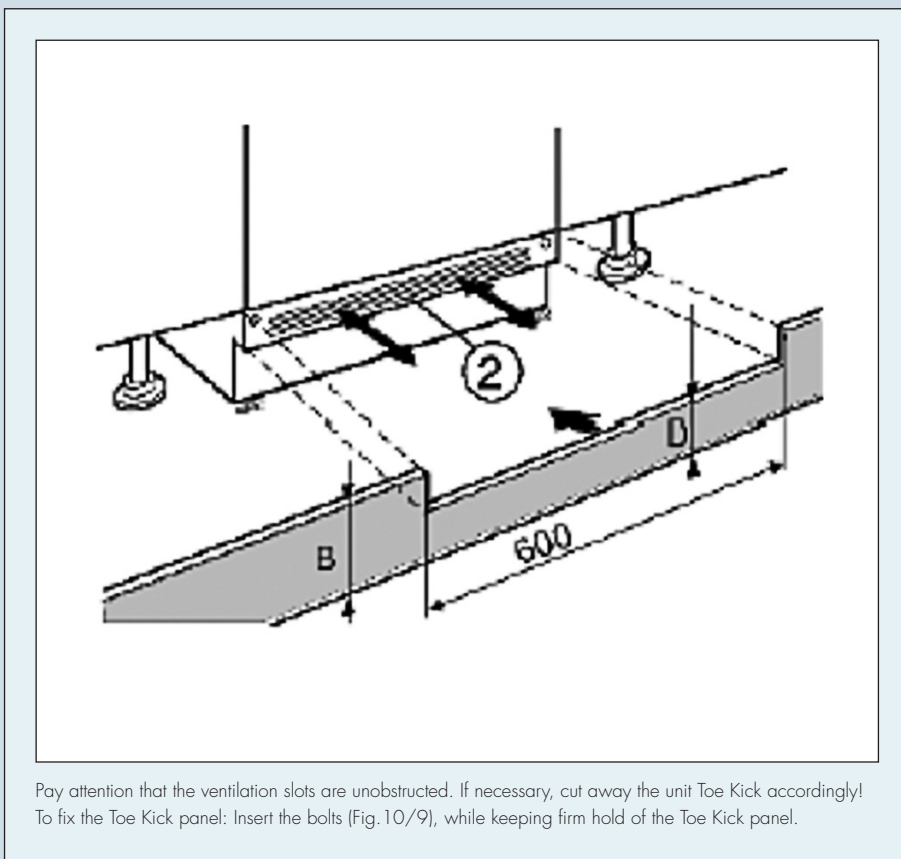
Cabinet and Opening Dimensions



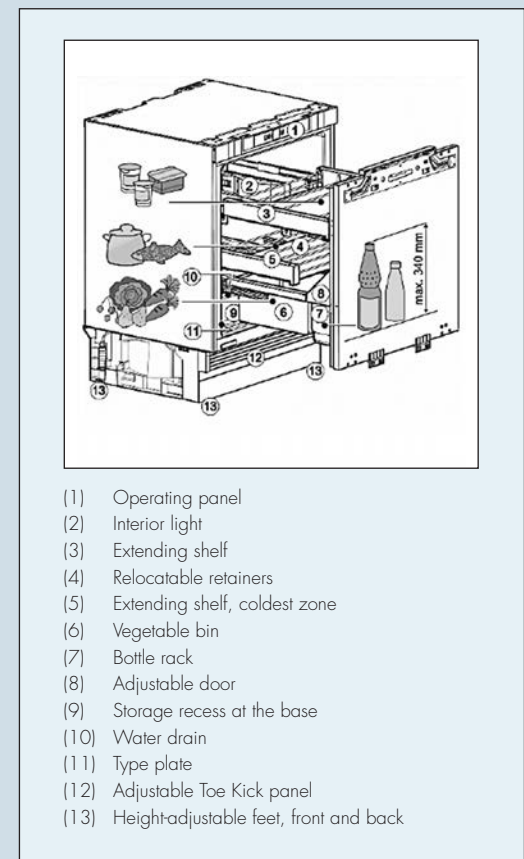
Toe Kick Installation



Ventilation



Feature Description



Liebherr UPR 503

Pull-out refrigerator

 GERMAN
ENGINEERING

LIEBHERR

Quality, Design and Innovation

Pull-out Refrigerator

◀24"▶

Pull-out unit UPR 503

The UPR 503 takes both the designer and the user in mind, offering convenient features and design flexibility to fit any home. The universally designed pull-out refrigerator can be adjusted in height and depth to match that of the counterspace, providing an optimal fit for countertops up to 34 inches high. Like all Liebherr integrated units, the UPR 503 uses door-on-door technology, allowing custom panels to be affixed directly onto the appliance door, ensuring seamless integration with custom cabinetry, as well as easy installation.

The practical pull-out shelves and the pull-out compartment with full extension allow food to be stored safely and with optimum access. Equipped with SoftTelescopic, the pull-out compartment has a convenient and safe self-retracting system and a gentle SoftSystem.



UPR 503*

Glass Line

LED

Super Cool

Soft Telescopic

Super Quiet

Model name / identification

Household refrigeration category (1)

Energy efficiency class

Energy consumption

Total net capacity of whole refrigerator compartment

of which chill compartment

of which wine storage compartment

of which cellar-temperature compartment

of which fresh food storage compartment

Total net capacity of freezer compartment

Star coding

Design temperature of other compartments

Lowest storage temperature of wine compartment

Frost-free

Storage time during malfunctions

Freezing capacity

Climate rating (2)

Airborne noise emitted

Type of appliance

UPR 503

1

A++

92 kWh/a

118 l

–

–

–

118 l

–

–

–

–

–

–

–

SN-T

39 dB(A) re 1 pW

Built-in appliance

* Available in Summer 2016

Advantages

◀24"▶



Our broad product range enables us to have something for almost every customer, and we constantly work to further improve the performance of our appliances, and to keep developing exceptional refrigeration technology.

Liebherr refrigerators help produce less energy waste and greenhouse gas emissions with the goal of having the least damaging effect on the environment, while offering solutions that help consumers conserve energy.

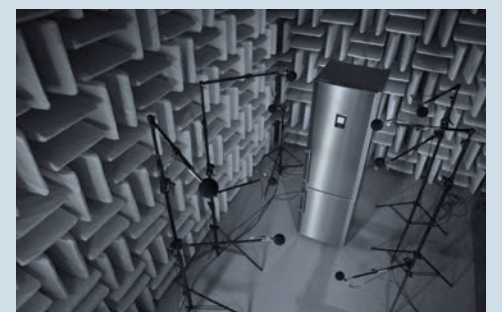
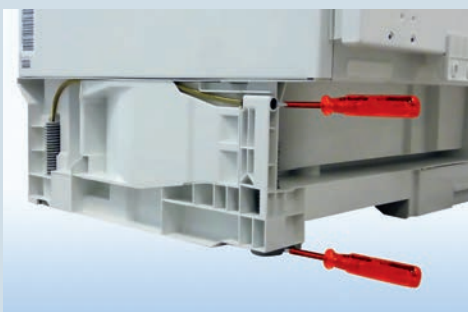
The automatic SuperCool function lowers the refrigerator temperature down as far as 35°F for as long as 12 hours – ideal for rapidly cooling freshly stored food.



The fully extendible pull-out fridge compartment is mounted on telescopic rails with soft stop and self-closing. It has a practical bottle shelf and a removable fruit and vegetable drawer. The large drawer can also be divided into two equal-sized compartments, with further storage space underneath.

The innovative LED lighting provides a new standard of illumination for the interior. LED technology means that the lighting can be integrated to save space.

Food can be stored securely and accessed easily on the two pull-out glass shelves. Rails can be used to variably partition the glass shelves according to storage requirements.



The Vario Toe Kick permits the adjustment of kitchen units in height and depth. All four height-adjustable feet permit adjustment from the front within a 2" range. In addition, the ventilation grille can be adjusted within a range of 2" to match the front of the kitchen units.

Comfort electronics, with easy-to-use controls, ensure that the selected temperature is precisely maintained. The target temperature is displayed in the MagicEye by LEDs.

Noise is kept to a minimum with virtually silent, speed controlled, specially-absorbed compressors, and a low noise cooling circuit, ensuring exact performance, energy efficiency and SuperQuiet operation.