

30" GAS BUILT-IN OVEN

Specifications		
Model Number		VEBIG30N
General Features	Size	30"
	Type	Gas
	Liquid Propane (LP)	Kit included
	Colors	Stainless Steel Matte Black
	Control Knobs	Brushed Chrome
	Power Requirements	120 Volt 60Hz. 15 Amp
Main Oven Features	Oven Capacity (cu.ft.)	3.5
	Convection Fan	Yes
	Broiler Type	Infrared
	Closed Door Broil	Yes
	Broiler Power	10,000 BTU
	Oven Power	13,500 BTU
	Racks	2 Heavy Duty. 1 Glide Support included
	Broiler Pan	Yes
	Oven Lights	2 Halogen
Dimensions	Cut Out	
	Width (in)	28 1/2
	Height (in)	27 3/16
	Depth (in)	23 1/2
	Minimum Height to Floor (in)	14 7/8
	Overall	
	Width (in)	29 11/16
	Height (in)	27 1/64
Depth (in)	20 9/32	



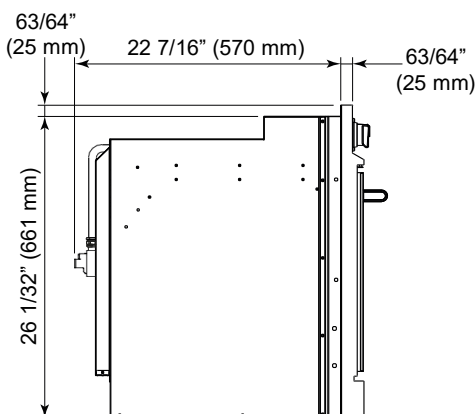
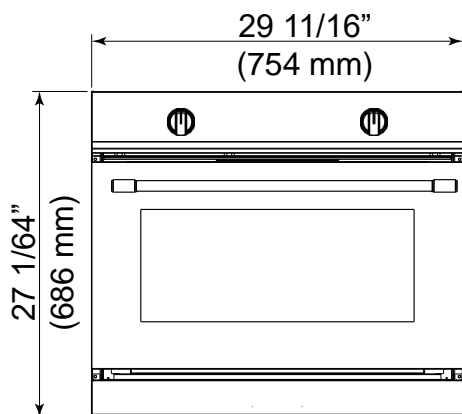
Stainless Steel – VEBIG30NSS Matte Black – VEBIG30E

FEATURES

- Electronic Ignition
- Flame Failure Safety Device
- Instant Burner Ignition
- Analogic Temperature Indicator
- Triple Pane Glass Door
- Easy-clean Porcelain Oven Surface
- Industrial Style Infrared Broiler

Accessories:

- LP kit - Included
- Broiler Pan – Tray & Shelf (included)
- Stacking Kit (optional)



WARNING: This oven is not designed or approved for use under the counter. This type of installation will null & void the manufacturer's warranty.