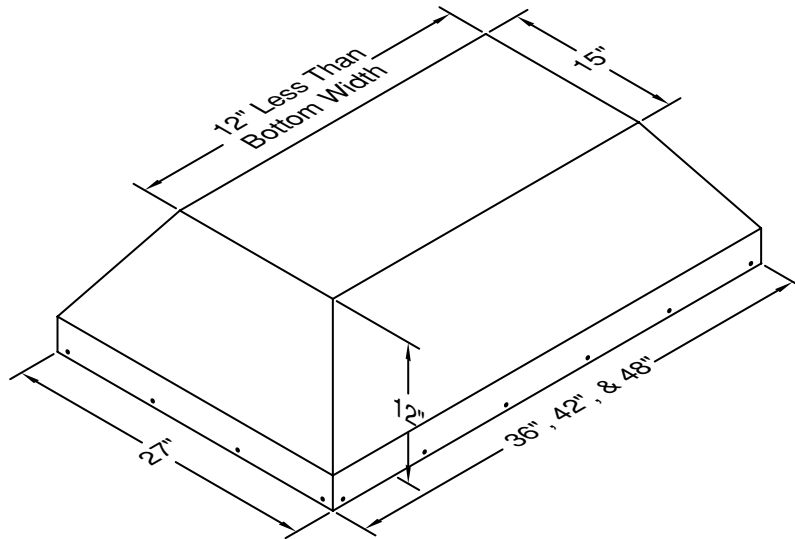


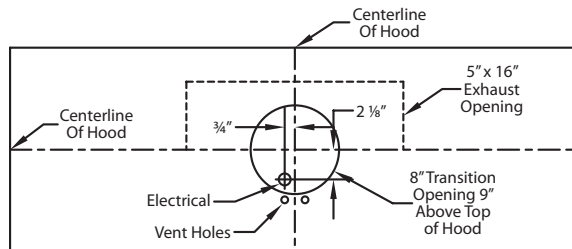
# Vent Hood® ISLAND LINER INSERT SPECIFICATIONS

TSLE/THSLE "H" in part number indicates halogen lighting. This model not available with heat lamps.



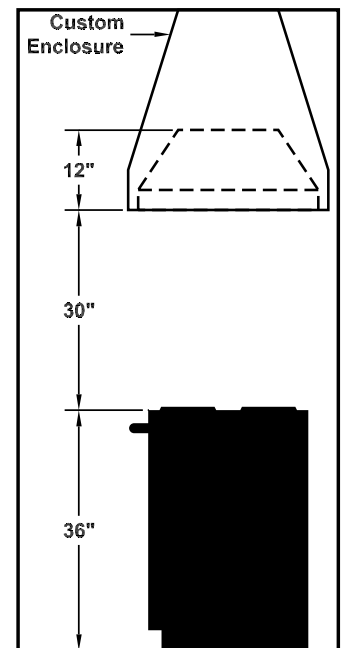
**TSLE/THSLE**

## Connection Diagram (36" - 48" Widths)

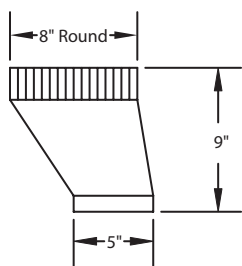


**550 CFM T200 Dual Blower (Top View)**

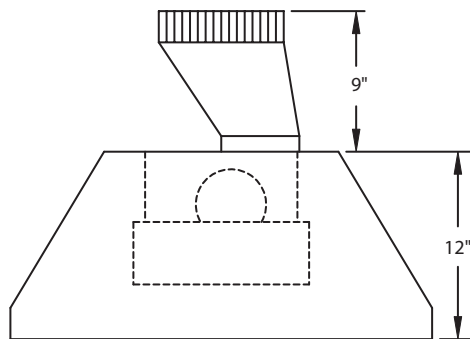
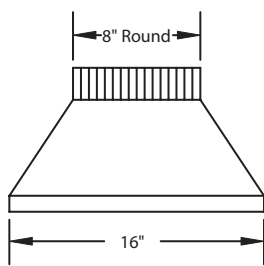
## Recommended Mounting Height\*



\*Exceeding recommended mounting height may compromise performance.



**VP565 Standard Transition (Included)**



**Transition Installed (Side View)**

## Electrical/Mechanical Specifications For Blower Units

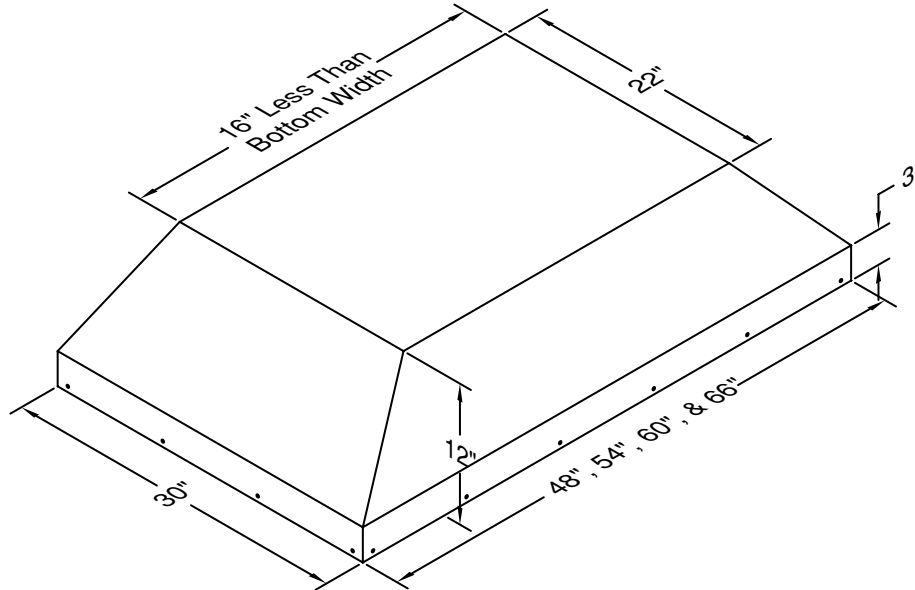
Model	Volts	Amps*	Hz	RPM	CFM SP@0.0"	Equivalent CFM*	CFM SP@0.1"	CFM SP@0.2"	CFM SP@0.3"	Minimum Round Duct Size	Sones#
T200 Island Dual	115	2.9	60	1550	550	900	507	471	431	8" (50 in. <sup>2</sup> )	6.0

\* Add 0.5 amp for each halogen light. Hood is available with fluorescent lights (one in front, one in back) or with halogen lights (one in each corner).  
 # Because the Magic Lung® blower uses centrifugal filtration rather than conventional baffle or mesh filters, the Magic Lung® blower can handle cooking equipment with higher cubic feet per minute (CFM) requirements and can deliver equivalent CFM much more efficiently than other filtration systems. When comparing the Magic Lung® with other blower units made by other manufacturers, use the "Equivalent CFM".  
 # Ratings in accordance with the Standard Test Code by the Energy Systems Laboratory of the Texas Engineering Experiment Station.



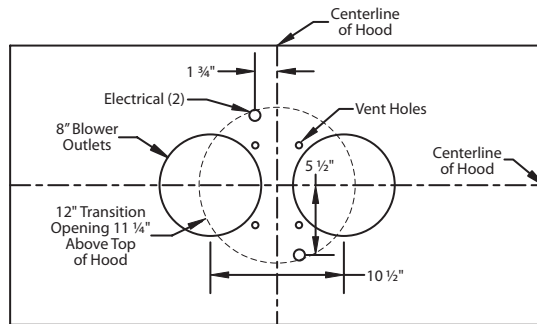
# Vent Hood® ISLAND LINER INSERT SPECIFICATIONS

TPSLE/THPSLE "H" in part number indicates halogen lighting. This model not available with heat lamps.



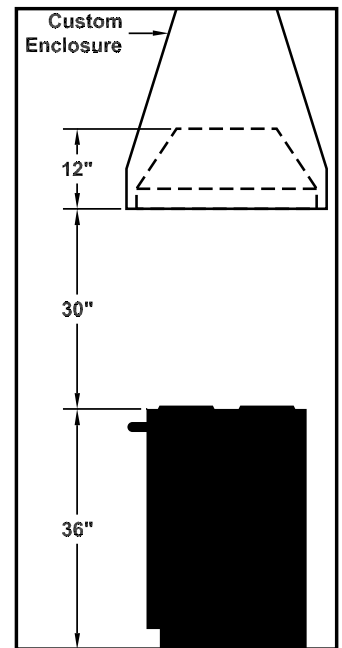
**TPSLE/THPSLE**

## Connection Diagram (48" - 66" Widths)

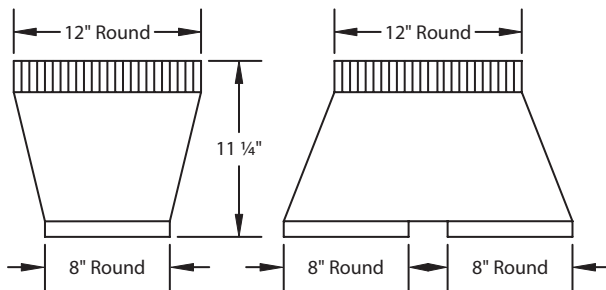


**1100 CFM T400 Cluster Blower (Top View)**

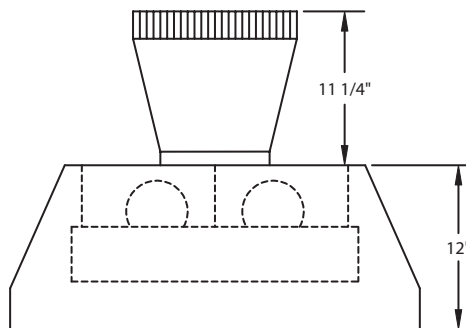
## Recommended Mounting Height\*



\*Exceeding recommended mounting height may compromise performance.



**VP564 Standard Transition (Included)**



**Transition Installed (Side View)**

## Electrical/Mechanical Specifications For Blower Units

Model	Volts	Amps*	Hz	RPM	CFM SP@0.0"	Equivalent CFM*	CFM SP@0.1"	CFM SP@0.2"	CFM SP@0.3"	Minimum Round Duct Size	Sones#
T400 Island Cluster	115	5.8	60	1550	1100	1800	998	855	774	12" (113 in. <sup>2</sup> )	6.4

\* Add 0.5 amp for each halogen bulb. Hood is available with fluorescent lights (two for each dual blower) or with halogen lights (4 lights: 48" - 59", 8 lights: 60" - 66", +2 lights for each 14" if over 66").  
 # Because the Magic Lung® blower uses centrifugal filtration rather than conventional baffle or mesh filters, the Magic Lung® blower can handle cooking equipment with higher cubic feet per minute (CFM) requirements and can deliver equivalent CFM much more efficiently than other than other filtration systems. When comparing the Magic Lung® with other blower units made by other manufacturers, use the "Equivalent CFM".  
 # Ratings in accordance with the Standard Test Code by the Energy Systems Laboratory of the Texas Engineering Experiment Station.